

Vantage[®] II

Gas-Fired, Low Intensity Unitary Heater

Installation, Operation & Service Manual

CTH2-40
CTH2-60
CTH2-80
CTH2-100
CTH2-125
CTH2-150
CTH2-175

FOR YOUR SAFETY

If you smell gas:

1. Open windows.
2. **DO NOT** try to light any appliance.
3. **DO NOT** use electrical switches.
4. **DO NOT** use any telephone in your building.
5. Extinguish any open flame.
6. Leave the building.
7. Immediately call your local gas supplier after leaving the building. Follow the gas supplier's instructions.
8. If you cannot reach your gas supplier, call the Fire Department.

WARNING



Fire Hazard

Keep all flammable objects, liquids and vapors the minimum required clearances to combustibles away from heater.

Some objects will catch fire or explode when placed close to heater.

Failure to follow these instructions can result in death, injury or property damage.

WARNING

Improper installation, adjustment, alteration, service or maintenance can result in death, injury or property damage. Read the Installation, Operation and Service Manual thoroughly before installing or servicing this equipment.

Installation must be done by a contractor qualified in the installation and service of gas-fired heating equipment or your gas supplier.

Installer

Please take the time to read and understand these instructions prior to any installation. Installer must give a copy of this manual to the owner.

Owner

Keep this manual in a safe place in order to provide your serviceman with necessary information.



Roberts-Gordon LLC

1250 William Street
P.O. Box 44
Buffalo, New York 14240-0044
Telephone: +1.716.852.4400
Fax: +1.716.852.0854
Toll Free: 800.828.7450

www.rg-inc.com
www.radiantheaters.com

TABLE OF CONTENTS

| | | | |
|---|-----------|---|-----------|
| SECTION 1: Heater Safety | 1 | SECTION 9: Gas Piping | 40 |
| 1.1 Manpower Requirements | 1 | SECTION 10: Wiring | 42 |
| 1.2 Safety Labels and Their Placement | 1 | 10.1 Line Voltage Thermostat Wiring..... | 42 |
| 1.3 California Proposition 65 | 1 | 10.2 Low Voltage Thermostat with One Burner | 42 |
| SECTION 2: Installer Responsibility | 4 | 10.3 Low Voltage Thermostat Wiring with Multiple Burners. | 43 |
| 2.1 Wall Tag | 4 | 10.4 Internal Wiring..... | 43 |
| 2.2 Corrosive Chemicals..... | 4 | 10.5 Ladder Diagram | 44 |
| 2.3 National Standards and Applicable Codes | 4 | 10.6 Electrical Connection to the Burner | 44 |
| SECTION 3: Clearances to Combustibles | 5 | SECTION 11: Operation and Maintenance | 45 |
| 3.1 Required Clearances to Combustibles..... | 5 | 11.1 Sequence of Operation | 45 |
| SECTION 4: National Standards and Applicable Codes | 9 | 11.2 To Shut Off Heater..... | 45 |
| 4.1 Gas Codes..... | 9 | 11.3 To Start Heater | 45 |
| 4.2 Aircraft Hangars | 9 | 11.4 Pre-Season Maintenance and Annual Inspection.... | 45 |
| 4.3 Public Garages | 9 | 11.5 Maintenance Checklist | 46 |
| 4.4 Electrical | 9 | SECTION 12: Troubleshooting | 48 |
| 4.5 Venting..... | 9 | 12.1 Honeywell SmartValve® II Troubleshooting | 49 |
| 4.6 High Altitude | 9 | 12.2 Troubleshooting Flow Chart | 50 |
| SECTION 5: Major Components | 10 | 12.3 Manifold Gas Pressure Setting | 52 |
| 5.1 Standard Parts List | 11 | SECTION 13: Replacement Parts | 53 |
| SECTION 6: Heater Installation | 13 | SECTION 14: General Specifications | 56 |
| 6.1 Burner Tube Installation | 18 | 14.1 Material Specifications..... | 56 |
| 6.2 Tube Clamp Package Installation..... | 18 | 14.2 Heater Specifications..... | 56 |
| 6.3 Coupling and Tube Assembly..... | 19 | 14.3 Suspension Specifications..... | 56 |
| 6.4 Turbulator Installation | 20 | 14.4 Controls Specifications | 56 |
| 6.5 Reflector Installation | 21 | SECTION 15: The ROBERTS GORDON® VANTAGE® II | |
| 6.6 Burner Installation..... | 23 | Warranty | 57 |
| SECTION 7: Optional Heater Accessories | 24 | | |
| 7.1 U-Tube Configuration..... | 24 | | |
| 7.2 Elbow Package Configuration..... | 28 | | |
| 7.3 Reflector Side Extension | 30 | | |
| 7.4 Lower Clearance Shield Installation | 31 | | |
| 7.5 Two-Foot Decorative Grille Installation | 31 | | |
| 7.6 Protective Grille Installation | 33 | | |
| SECTION 8: Venting | 34 | | |
| 8.1 General Venting Requirements..... | 34 | | |
| 8.2 Unvented Operation..... | 34 | | |
| 8.3 Horizontal Venting..... | 35 | | |
| 8.4 Vertical Venting | 35 | | |
| 8.5 Unvented Operation Tube Termination | 35 | | |
| 8.6 Length Requirements | 35 | | |
| 8.7 Horizontal Ventilation 4" (10 cm) Pipe..... | 35 | | |
| 8.8 Vertical Ventilation 4" (10 cm) Pipe..... | 36 | | |
| 8.9 Common Sidewall Venting..... | 36 | | |
| 8.10 Common Vertical Venting | 37 | | |
| 8.11 Outside Combustion Air Supply | 38 | | |

© 2012 Roberts-Gordon LLC

All rights reserved. No part of this work covered by the copyrights herein may be reproduced or copied in any form or by any means - graphic, electronic, or mechanical, including photocopying, recording, taping or information storage and retrieval systems - without the written permission of Roberts-Gordon LLC.

TABLE OF FIGURES

| | |
|--|----|
| Figure 1: Top and Bottom Panel Label Placement | 2 |
| Figure 2: Side and Back Panel Label Placement | 3 |
| Figure 3: Standard Reflector | 5 |
| Figure 4: One Side Reflector | 6 |
| Figure 5: Two Side Reflectors | 6 |
| Figure 6: 45° Tilt Reflector | 6 |
| Figure 7: U-Tube, Standard Reflector | 7 |
| Figure 8: U-Tube, 45° | 7 |
| Figure 9: U-Tube, Opposite 45° Reflector | 7 |
| Figure 10: 2-Foot Deco Grille and Protective Grille | 8 |
| Figure 11: Lower Clearance Shield* | 8 |
| Figure 12: Venting | 8 |
| Figure 13: Major Component Descriptions | 10 |
| Figure 14: Critical Hanger Placement | 14 |
| Figure 15: Linear Heater Assembly Overview | 15 |
| Figure 16: Linear Heater Layout Overview | 16 |
| Figure 17: Linear Heater Layout Overview (Continued) | 17 |
| Figure 18: U-Tube Heater Assembly Overview | 25 |
| Figure 19: U-Tube Heater Layout Overview | 26 |
| Figure 20: U-Tube Heater Layout Overview (Continued) | 27 |
| Figure 21: Reflector Joint Detail | 29 |
| Figure 22: Tube Termination | 35 |
| Figure 23: Gas Connection with Flexible Gas Hose | 41 |

LIST OF TABLES

| | |
|--|----|
| Table 1: Contents of the Burner Carton | 11 |
| Table 2: Contents of Core and Extension Packages | 11 |
| Table 3: Component Package Guide | 12 |

SECTION 1: HEATER SAFETY



Your Safety is Important to Us!

This symbol is used throughout the manual to notify you of possible fire, electrical or burn hazards. Please pay special attention when reading and following the warnings in these sections.

Installation, service and annual inspection of heater must be done by a contractor qualified in the installation and service of gas-fired heating equipment.

Read this manual carefully before installation, operation or service of this equipment.

This heater is designed for heating nonresidential indoor spaces. Do not install in residential spaces. These instructions, the layout drawing, local codes and ordinances, and applicable standards that apply to gas piping, electrical wiring, venting, etc. must be thoroughly understood before proceeding with the installation.

Protective gear is to be worn during installation, operation and service. Thin sheet metal parts, including the aluminum reflector portion of the heater and the various venting components, have sharp edges. To prevent injury, the use of work gloves is recommended. The use of gloves will also prevent the transfer of body oils from the hands to the surface of the reflector.

Before installation, check that the local distribution conditions, nature of gas and pressure, and adjustment of the appliance are compatible.

This heater must be applied and operated under the general concepts of reasonable use and installed using best building practices.

This appliance is not intended for use by persons (including children) with reduced physical, sensory or mental capabilities, or lack of experience and knowledge, unless they have been given supervision or instruction concerning use of the appliance by a person responsible for their safety. Children should be supervised to ensure that they do no play with the appliance.

For additional copies of the Installation, Operation and Service Manual, please contact Roberts-Gordon LLC.

1.1 Manpower Requirements

To prevent personal injury and damage to the heater, two persons will be required for installation.

1.2 Safety Labels and Their Placement

Product safety signs or labels should be replaced by the product user when they are no longer legible. Please contact Roberts-Gordon or your ROBERTS GORDON® independent distributor to obtain replacement signs or labels. See *Page 2, Figure 1 through Page 3, Figure 2*.

1.3 California Proposition 65

In accordance with California Proposition 65 requirements, a warning label must be placed in a highly visible location on the outside of the equipment (i.e., near equipment's serial plate). See label placement drawing on *Page 2, Figure 1* for label location. Avoid placing label on areas with extreme heat, cold, corrosive chemicals or other elements. To order additional labels, please contact Roberts-Gordon LLC or your ROBERTS GORDON® independent distributor.

FIGURE 1: Top and Bottom Panel Label Placement

Bottom Panel

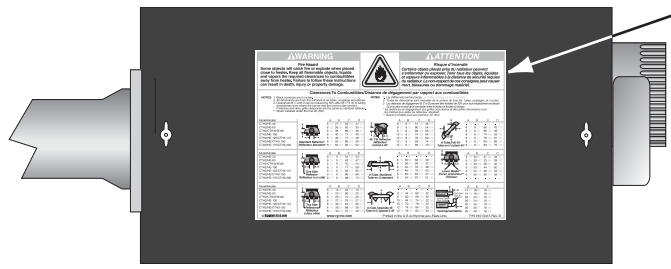
Rating Plate Label

Proposition 65 Label

Top Panel

| Description | Part Number |
|----------------------|-------------|
| Logo Label | 91013200 |
| Rating Plate Label | 91010401 |
| Gas Connection Label | 91018122 |
| Proposition 65 Label | 91070015 |

FIGURE 2: Side and Back Panel Label Placement



Control Side Panel

WARNING

Fire Hazard

Some objects will catch fire or explode when placed close to heater. Keep all flammable objects, liquids and vapors the required clearances to combustibles away from heater. Failure to follow these instructions can result in death, injury or property damage.

ATTENTION

Risque d'incendie

Certains objets placés près du radiateur peuvent s'enflammer ou exploser. Tenir tous les objets, liquides et vapeurs inflammables à la distance de sécurité requise du radiateur. Le non-respect de ces consignes peut causer mort, blessures ou dommage matériel.

Clearances To Combustibles / Distance de dégagement par rapport aux combustibles

NOTES:

- Black numerals are in inches.
- 2d dimension is from the surfaces of all tubes, couplings and elbows.
- Clearance B is the distance from the burner and the burner tube contact.
- Procedure and clearances apply to the same as standard labeling.
- When installed under the first 20" (50cm).

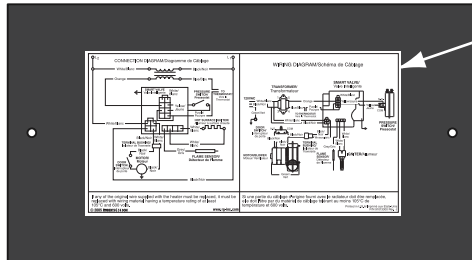
NOTES:

- Les chiffres noirs sont en pouces.
- La dimension est mesurée de la surface de tous les tubes, couplages et coudes.
- La distance de dégagement B est la distance de sécurité requise du radiateur.
- Les procédures et les exigences de dégagement s'appliquent aux mêmes que celles des étiquettes de dégagement standard.
- Quand il est installé sous les premiers 20" (50cm).

| Model/Modèle | A | B | C | D | E | F |
|-------------------|-------|--------|--------|--------|--------|--------|
| CTHNE-40 | 6 1/2 | 27 1/8 | 53 1/2 | 27 1/8 | 8 1/2 | 51 1/8 |
| CTHNE-60 | 6 1/2 | 38 1/8 | 63 1/2 | 38 1/8 | 8 1/2 | 61 1/8 |
| CTHNECTH3E-80 | 6 1/2 | 38 1/8 | 65 1/8 | 38 1/8 | 8 1/2 | 65 1/8 |
| CTHNE-100 | 6 1/2 | 40 1/8 | 71 1/2 | 40 1/8 | 10 1/2 | 74 1/8 |
| CTHNE-125CTH3-115 | 6 1/2 | 46 1/8 | 77 1/2 | 46 1/8 | 10 1/2 | 79 1/8 |
| CTHNECTH3-150 | 6 1/2 | 50 1/8 | 82 1/2 | 50 1/8 | 12 1/2 | 84 1/8 |
| CTHNE-175CTH3-200 | 6 1/2 | 58 1/8 | 82 1/2 | 58 1/8 | 12 1/2 | 85 1/8 |

© ROBERTS CONTROL Printed in the U.S.A./Imprimé aux États-Unis P/N 91013415 Rev. B

Clearances to Combustibles Label



Control Side Panel (Inside)

CONNECTION DIAGRAM / Diagramme de Câblage

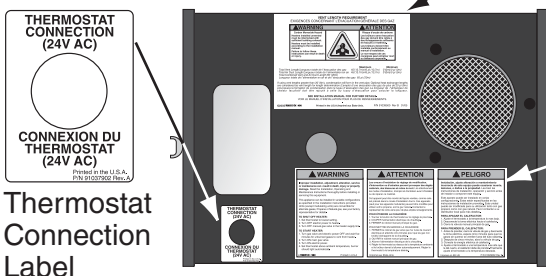
Wiring diagram showing electrical connections for the heater, including gas valve, transformer, and control components.

WIRING DIAGRAM / Schéma de Câblage

Wiring diagram showing electrical connections for the heater, including gas valve, transformer, and control components.

© 2005 ROBERTS CONTROL Printed in the U.S.A./Imprimé aux États-Unis P/N 91013300

Wiring Label



Back Panel

THERMOSTAT CONNECTION (24V AC)

CONNEXION DU THERMOSTAT (24V AC)

Printed in the U.S.A. P/N 91039700

Thermostat Connection Label

VENT LENGTH REQUIREMENT / EXIGENCES CONCERNANT L'ÉVACUATION GÉNÉRALE DES GAZ

WARNING

Clearance between heater and combustibles must be maintained. Failure to follow these instructions can result in death or injury.

ATTENTION

Risque d'incendie et d'explosion. Les distances entre le radiateur et les combustibles doivent être maintenues. Le non-respect de ces consignes peut causer mort ou blessures.

VENT LENGTH REQUIREMENT / EXIGENCES CONCERNANT L'ÉVACUATION GÉNÉRALE DES GAZ

Minimum Vent Length / Longueur minimale des gaz: 65 ft (20m)

Maximum Vent Length / Longueur maximale des gaz: 115 ft (35m)

© 2005 ROBERTS CONTROL Printed in the U.S.A./Imprimé aux États-Unis P/N 91039500 Rev. B 0105

Vent Length Label

WARNING

Improper installation, adjustment, alteration, service or maintenance can result in death, injury or property damage. Read the installation, operation and maintenance instructions thoroughly before installing or servicing this equipment.

ATTENTION

Les erreurs d'installation de réglage de modification, d'entretien ou d'entretien peuvent provoquer des décès, blessures, et dommages à la propriété. Lire attentivement les notices d'installation, d'opération et d'entretien avant d'installer ou de servir cet équipement.

PELIGRO

Instalación, ajuste, alteración o mantenimiento incorrecto de este equipo puede ocasionar muerte, lesiones, e daños a la propiedad. Lea las instrucciones de instalación, operación y servicio antes de instalar o componer este equipo.

© ROBERTS CONTROL Printed in the U.S.A. / Imprimé aux États-Unis P/N 91029602 Rev. B

Lighting Instruction Plate Label

| Description | Part Number |
|----------------------------------|-------------|
| Clearances to Combustibles Label | 91013415 |
| Wiring Label | 91013300 |
| Low Voltage Connection Label | 91039700 |
| Vent Length Label | 91039500 |
| Lighting Instruction Plate Label | 91029602 |

SECTION 2: INSTALLER RESPONSIBILITY

The installer is responsible for the following:

- To install the heater, as well as the gas and electrical supplies, in accordance with applicable specifications and codes. Roberts-Gordon recommends the installer contact a local Building Inspector or Fire Marshal for guidance.
- To use the information given in a layout drawing and in the manual together with the cited codes and regulations to perform the installation.
- To install the heater in accordance with the clearances to combustibles.
- To furnish all needed materials not furnished as standard equipment.
- To plan location of supports.
- To provide access to burners for servicing on all sides for burner removal.
- To provide the owner with a copy of this installation, operation and service manual.
- To never use heater as support for a ladder or other access equipment and never hang or suspend anything from heater.
- To ensure there is adequate air circulation around the heater and to supply air for combustion, ventilation and distribution in accordance with local codes.
- To safely and adequately install heater using materials with a minimal working load of 75 lbs (33 kg).
- To ensure the heater is placed in a approved application.

2.1 Wall Tag

A laminated wall tag is available for the heater as a permanent reminder of the safety instructions and the importance of the required clearances to combustibles. Please contact Roberts-Gordon or your ROBERTS GORDON® independent distributor to obtain the wall tag. Affix the tag by peeling off the backing of the adhesive strips on the rear surface and position the tag on a wall near the heater (e.g. thermostat or ROBERTS GORDON® Controller).

A copy of the wall tag (P/N 91037912) is illustrated on the back cover. For an immediate solution, you may affix this copy on the wall near the heater.

Know your model number and installed configuration. Model number and installed configuration are found

on the burner and in the Installation, Operation and Service Manual. See Page 5, Figure 3 through Page 8, Figure 12. Write the proper clearance dimensions in permanent ink according to your model number and configuration in the open spaces on the tag.

2.2 Corrosive Chemicals

! **CAUTION**



Product Damage Hazard

Do not use heater in area containing corrosive chemicals.

Refer to appropriate Material Safety Data Sheets (MSDS).

Failure to follow these instructions can result in product damage.

Roberts-Gordon cannot be responsible for ensuring that all appropriate safety measures are undertaken prior to installation; this is entirely the responsibility of the installer. It is essential that the contractor, the sub-contractor, or the owner identifies the presence of combustible materials, corrosive chemicals or halogenated hydrocarbons* anywhere in the premises.

** **Halogenated Hydrocarbons** are a family of chemical compounds characterized by the presence of halogen elements (fluorine, chlorine, bromine, etc.). These compounds are frequently used in refrigerants, cleaning agents, solvents, etc. If these compounds enter the air supply of the burner, the life span of the heater components will be greatly reduced. An outside air supply must be provided to the burners whenever the presence of these compounds is suspected. Warranty will be invalid if the heater is exposed to halogenated hydrocarbons.*

2.3 National Standards and Applicable Codes

All appliances must be installed in accordance with the latest revision of the applicable standards and national codes. This refers also to the electric, gas and venting installation. Note: Additional standards for installations in Public Garages, Aircraft Hangars, etc. may be applicable.

SECTION 3: CLEARANCES TO COMBUSTIBLES

3.1 Required Clearances to Combustibles

Clearances are the required distances that combustible objects must be away from the heater to prevent serious fire hazards. Combustibles are materials that may catch on fire and include common items such as wood, paper, rubber, fabric, etc. **Maintain clearances to combustibles at all times for safety.**

Clearances for all heater models are located on the burner of the heater and *on Page 5, Figure 3 through Page 8, Figure 12* in this manual. Check the clearances on each burner for the model heater being installed to make sure the product is suitable for your application and the clearances are maintained. Read and follow the safety guidelines below:

- Keep gasoline or other combustible materials including flammable objects, liquids, dust or vapors away from this heater or any other appliance.
- The stated clearances to combustibles represents a surface temperature of 90° F (50°C) above room temperature. Building materials with a low heat tolerance (such as plastics, vinyl siding, canvas, triply, etc) may be subject to degradation at lower temperatures. It is the installer's responsibility to assure that adjacent materials are protected from degradation.
- Maintain clearances from heat sensitive equipment and workstations.
- Maintain clearances from vehicles parked below the heater.
- Maintain clearances from swinging and overhead doors, overhead cranes, vehicle lifts, partitions, storage racks, hoists, building construction, etc.

NOTE: 1. All dimensions are from the surfaces of all tubes, couplings and elbows.
2. Clearances B, C and D can be reduced by 50% after 25' (7.5 m) of tubing downstream from where the burner and burner tube connect.

⚠ WARNING



Fire Hazard

Keep all flammable objects, liquids and vapors the minimum required clearances to combustibles away from heater.

Some objects will catch fire or explode when placed close to heater.

Failure to follow these instructions can result in death, injury or property damage.

- In locations used for the storage of combustible materials, signs must be posted to specify the maximum permissible stacking height to maintain required clearances from the heater to the combustibles. Signs must be posted adjacent to the heater thermostat. In the absence of a thermostat, signs must be posted in a conspicuous location.
- Consult local Fire Marshal, Fire Insurance Carrier or other authorities for approval of proposed installation when there is a possibility of exposure to combustible airborne materials or vapors.
- Hang heater in accordance to the minimum suspension requirements *on Page 14, Figure 14*.
- If the radiant tubes must pass through the building structure, be sure that adequate sleeving and fire stop is installed to prevent scorching and/or fire hazard.

FIGURE 3: STANDARD REFLECTOR

| | Model | (inches) | | | | (centimeters) | | | |
|--|----------|----------|----|----|----|---------------|-----|-----|-----|
| | | A | B | C | D | A | B | C | D |
| | CTH2-40 | 6 | 27 | 53 | 27 | 16 | 69 | 135 | 69 |
| | CTH2-60 | 6 | 35 | 63 | 35 | 16 | 89 | 161 | 89 |
| | CTH2-80 | 6 | 38 | 66 | 38 | 16 | 97 | 168 | 97 |
| | CTH2-100 | 6 | 40 | 71 | 40 | 16 | 102 | 181 | 102 |
| | CTH2-125 | 6 | 46 | 77 | 46 | 16 | 117 | 196 | 117 |
| | CTH2-150 | 6 | 50 | 80 | 50 | 16 | 127 | 204 | 127 |
| | CTH2-175 | 8 | 52 | 82 | 52 | 21 | 133 | 209 | 133 |

NOTE: 1. All dimensions are from the surfaces of all tubes, couplings and elbows.
 2. Clearances B, C and D can be reduced by 50% after 25' (7.5 m) of tubing downstream from where the burner and burner tube connect.

FIGURE 4: ONE SIDE REFLECTOR

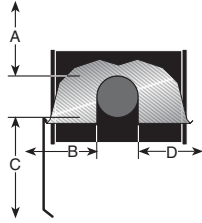
|  | Model | (inches) | | | | (centimeters) | | | |
|---|----------|----------|---|----|----|---------------|----|-----|-----|
| | | A | B | C | D | A | B | C | D |
| | CTH2-40 | 6 | 9 | 53 | 44 | 16 | 23 | 135 | 112 |
| | CTH2-60 | 6 | 9 | 63 | 47 | 16 | 23 | 161 | 120 |
| | CTH2-80 | 6 | 9 | 70 | 54 | 16 | 23 | 178 | 138 |
| | CTH2-100 | 6 | 9 | 77 | 59 | 16 | 23 | 196 | 150 |
| | CTH2-125 | 6 | 9 | 83 | 65 | 16 | 23 | 211 | 166 |
| | CTH2-150 | 6 | 9 | 86 | 69 | 16 | 23 | 219 | 176 |
| | CTH2-175 | 8 | 9 | 88 | 73 | 21 | 23 | 224 | 186 |

FIGURE 5: TWO SIDE REFLECTORS

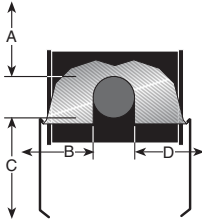
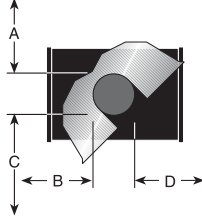
|  | Model | (inches) | | | | (centimeters) | | | |
|--|----------|----------|----|----|----|---------------|-----|-----|-----|
| | | A | B | C | D | A | B | C | D |
| | CTH2-40 | 6 | 15 | 53 | 15 | 16 | 39 | 135 | 39 |
| | CTH2-60 | 6 | 23 | 66 | 23 | 16 | 59 | 168 | 59 |
| | CTH2-80 | 6 | 25 | 72 | 25 | 16 | 64 | 183 | 64 |
| | CTH2-100 | 6 | 27 | 78 | 27 | 16 | 69 | 199 | 69 |
| | CTH2-125 | 6 | 32 | 84 | 32 | 16 | 82 | 214 | 82 |
| | CTH2-150 | 6 | 35 | 88 | 35 | 16 | 89 | 224 | 89 |
| | CTH2-175 | 8 | 40 | 91 | 40 | 21 | 102 | 232 | 102 |

FIGURE 6: 45° TILT REFLECTOR

|  | Model | (inches) | | | | (centimeters) | | | |
|---|----------|----------|---|----|----|---------------|----|-----|-----|
| | | A | B | C | D | A | B | C | D |
| | CTH2-40 | 8 | 8 | 51 | 46 | 21 | 21 | 130 | 117 |
| | CTH2-60 | 8 | 8 | 60 | 54 | 21 | 21 | 153 | 138 |
| | CTH2-80 | 8 | 8 | 66 | 60 | 21 | 21 | 168 | 153 |
| | CTH2-100 | 10 | 8 | 74 | 64 | 26 | 21 | 188 | 163 |
| | CTH2-125 | 10 | 8 | 78 | 69 | 26 | 21 | 199 | 176 |
| | CTH2-150 | 12 | 8 | 84 | 74 | 31 | 21 | 214 | 188 |
| | CTH2-175 | 12 | 8 | 85 | 79 | 31 | 21 | 216 | 201 |

- NOTE:** 1. All dimensions are from the surfaces of all tubes, couplings and elbows.
 2. Clearances B, C and D can be reduced by 50% after 25' (7.5 m) of tubing downstream from where the burner and burner tube connect.

FIGURE 7: U-TUBE, STANDARD REFLECTOR

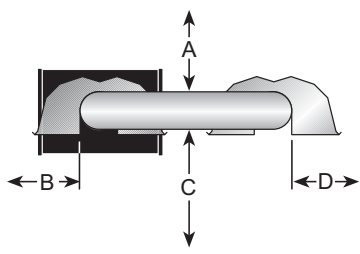
| | Model | (inches) | | | | (centimeters) | | | |
|---|----------|----------------|----|----|----|----------------|-----|-----|-----|
| | | A | B | C | D | A | B | C | D |
|  | CTH2-40 | - UNAPPROVED - | | | | - UNAPPROVED - | | | |
| | CTH2-60 | 6 | 35 | 63 | 30 | 16 | 89 | 161 | 77 |
| | CTH2-80 | 6 | 38 | 69 | 37 | 16 | 97 | 176 | 94 |
| | CTH2-100 | 6 | 40 | 76 | 39 | 16 | 102 | 194 | 100 |
| | CTH2-125 | 6 | 46 | 79 | 43 | 16 | 117 | 201 | 110 |
| | CTH2-150 | 6 | 50 | 84 | 47 | 16 | 127 | 214 | 120 |
| | CTH2-175 | 8 | 54 | 87 | 51 | 21 | 138 | 221 | 130 |

FIGURE 8: U-TUBE, 45°

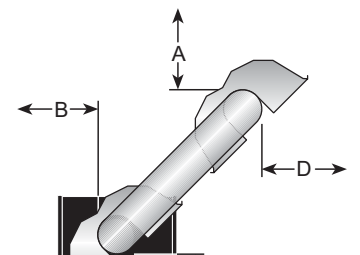
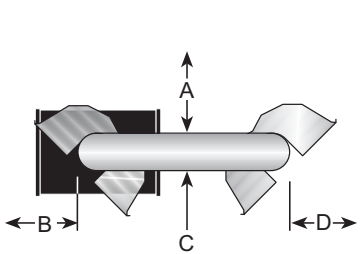
| | Model | (inches) | | | | (centimeters) | | | |
|--|----------|----------------|---|----|----|----------------|----|-----|-----|
| | | A | B | C | D | A | B | C | D |
|  | CTH2-40 | - UNAPPROVED - | | | | - UNAPPROVED - | | | |
| | CTH2-60 | 8 | 8 | 60 | 42 | 21 | 21 | 153 | 107 |
| | CTH2-80 | 8 | 8 | 66 | 46 | 21 | 21 | 168 | 117 |
| | CTH2-100 | 8 | 8 | 74 | 52 | 21 | 21 | 188 | 133 |
| | CTH2-125 | 8 | 8 | 78 | 61 | 21 | 21 | 199 | 155 |
| | CTH2-150 | 8 | 8 | 84 | 66 | 21 | 21 | 214 | 168 |
| | CTH2-175 | 8 | 8 | 85 | 70 | 21 | 21 | 216 | 178 |

FIGURE 9: U-TUBE, OPPOSITE 45° REFLECTOR

| | Model | (inches) | | | | (centimeters) | | | |
|---|----------|----------------|----|----|----|----------------|-----|-----|----|
| | | A | B | C | D | A | B | C | D |
|  | CTH2-40 | - UNAPPROVED - | | | | - UNAPPROVED - | | | |
| | CTH2-60 | 8 | 54 | 60 | 22 | 21 | 138 | 153 | 56 |
| | CTH2-80 | 8 | 60 | 66 | 22 | 21 | 153 | 168 | 56 |
| | CTH2-100 | 10 | 64 | 74 | 22 | 26 | 163 | 188 | 56 |
| | CTH2-125 | 10 | 70 | 78 | 22 | 26 | 178 | 199 | 56 |
| | CTH2-150 | 12 | 74 | 84 | 22 | 31 | 188 | 214 | 56 |
| | CTH2-175 | 12 | 76 | 85 | 22 | 31 | 194 | 216 | 56 |

NOTE: 1. All dimensions are from the surfaces of all tubes, couplings and elbows.
 2. Clearances B, C and D can be reduced by 50% after 25' (7.5 m) of tubing downstream from where the burner and burner tube connect.

FIGURE 10: 2-FOOT DECO GRILLE AND PROTECTIVE GRILLE

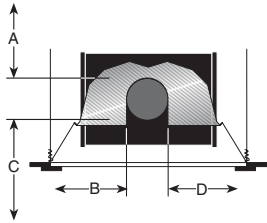
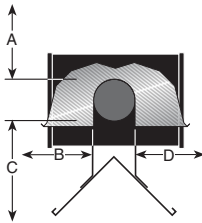
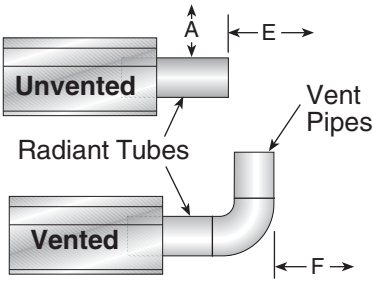
|  | Model | (inches) | | | | (centimeters) | | | |
|---|----------|----------|----|----|----|---------------|-----|-----|-----|
| | | A | B | C | D | A | B | C | D |
| | CTH2-40 | 6 | 27 | 53 | 27 | 16 | 69 | 135 | 69 |
| | CTH2-60 | 6 | 35 | 63 | 35 | 16 | 89 | 161 | 89 |
| | CTH2-80 | 6 | 38 | 66 | 38 | 16 | 97 | 168 | 97 |
| | CTH2-100 | 6 | 40 | 71 | 40 | 16 | 102 | 181 | 102 |
| | CTH2-125 | 6 | 46 | 77 | 46 | 16 | 117 | 196 | 117 |
| | CTH2-150 | 6 | 50 | 80 | 50 | 16 | 127 | 204 | 127 |
| | CTH2-175 | 8 | 52 | 82 | 52 | 21 | 133 | 209 | 133 |

FIGURE 11: LOWER CLEARANCE SHIELD*

|  | Model | (inches) | | | | (centimeters) | | | |
|--|----------|-----------------------|----|----|----|-----------------------|-----|-----|-----|
| | | A | B | C | D | A | B | C | D |
| | CTH2-40 | 6 | 34 | 27 | 34 | 16 | 87 | 69 | 87 |
| | CTH2-60 | 6 | 39 | 33 | 39 | 16 | 100 | 84 | 100 |
| | CTH2-80 | 6 | 40 | 38 | 40 | 16 | 102 | 97 | 102 |
| | CTH2-100 | 6 | 50 | 44 | 50 | 16 | 127 | 112 | 127 |
| | CTH2-125 | 6 | 54 | 48 | 54 | 16 | 138 | 122 | 138 |
| | CTH2-150 | 6 | 55 | 50 | 55 | 16 | 140 | 127 | 140 |
| | CTH2-175 | - UNAPPROVED - | | | | - UNAPPROVED - | | | |

*When installed in the first 10' (3 m).

FIGURE 12: VENTING

|  | Model | (inches) | | | (centimeters) | | |
|---|----------|----------|----|----|---------------|----|----|
| | | A | E | F | A | E | F |
| | CTH2-40 | 14 | 18 | 18 | 36 | 46 | 46 |
| | CTH2-60 | 14 | 18 | 18 | 36 | 46 | 46 |
| | CTH2-80 | 20 | 24 | 18 | 51 | 61 | 46 |
| | CTH2-100 | 20 | 24 | 18 | 51 | 61 | 46 |
| | CTH2-125 | 20 | 24 | 18 | 51 | 61 | 46 |
| | CTH2-150 | 20 | 30 | 18 | 51 | 77 | 46 |
| | CTH2-175 | 20 | 30 | 18 | 51 | 77 | 46 |

SECTION 4: NATIONAL STANDARDS AND APPLICABLE CODES

4.1 Gas Codes

The type of gas appearing on the nameplate must be the type of gas used. Installation must comply with national and local codes and requirements of the local gas company.

United States: Refer to National Fuel Gas Code NFPA 54/ANSI Z223.1 - latest revision.

Canada: Refer to Natural Gas and Propane Installation Code CSA B149.1 - latest revision.

4.2 Aircraft Hangars

Installation in aircraft hangars must be in accordance with the following codes:

United States: Refer to Standard for Aircraft Hangars, NFPA 409 - latest revision.

Canada: Refer to Natural Gas and Propane Installation Code CSA B149.1 - latest revision.

In aircraft storage and servicing areas, heaters shall be installed at least 10' (3 m) above the upper surface of wings or of engine enclosures of the highest aircraft which may be housed in the hangar. The measurement shall be made from the wing or engine enclosure (whichever is higher from the floor) to the bottom of the heater.

- In shops, offices and other sections of aircraft hangars communicating with aircraft storage or servicing areas, heaters shall be installed not less than 8' (2.4 m) above the floor.
- Suspended or elevated heaters shall be so located in all spaces of aircraft hangars that they shall not be subject to injury by aircraft, cranes, movable scaffolding or other objects. Provisions shall be made to assure accessibility to suspended heaters for recurrent maintenance purposes.

4.3 Public Garages

Installation in garages must be in accordance with the following codes:

United States: Refer to Standard for Parking Structures NFPA 88A - latest revision or the Code for Motor Fuel Dispensing Facilities and Repair Garages, NFPA 30A - latest revision.
Canada: Refer to Natural Gas and Propane Installation Code CSA B149.1 - latest revision.

- Heaters must not be installed less than 8' (2.4 m) above the floor. Minimum clearances to combustibles must be maintained from vehicles parked below the heater.
- When installed over hoists, minimum clearances to combustibles must be maintained from the upper most point of objects on the hoist.

4.4 Electrical

The heater must be electrically grounded in accordance with the following codes:

United States: Refer to National Electrical Code®, NFPA 70 - latest revision. Wiring must conform to the most current National Electrical Code®, local ordinances and any special diagrams furnished.

Canada: Refer to Canadian Electrical Code, CSA C22.1 Part 1 - latest revision.

4.5 Venting

The venting must be installed in accordance with the requirements within this manual and the following codes:

United States: Refer to National Fuel Gas Code NFPA 54/ANSI Z223.1 - latest revision.

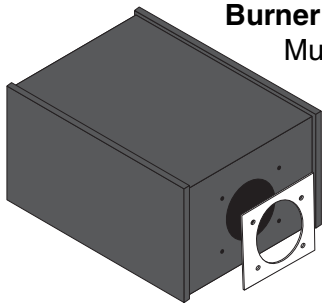
Canada: Refer to Natural Gas and Propane Installation Code CSA B149.1 - latest revision.

4.6 High Altitude

These heaters are approved for installations up to 2000' (610 m)(US), 4500' (1370 m)(Canada) without modification. Consult factory if US installation is above 2000' (610 m) or Canadian installation is above 4500' (1370 m).

SECTION 5: MAJOR COMPONENTS

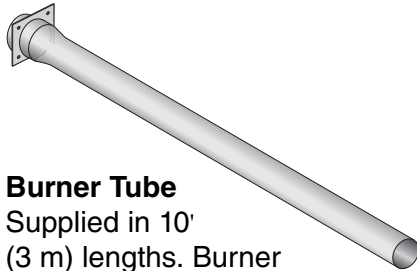
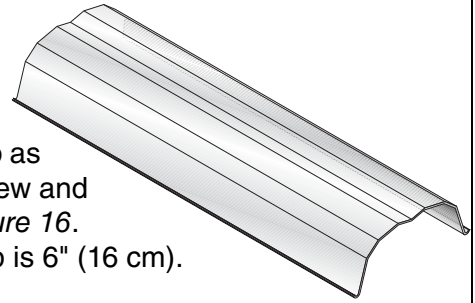
FIGURE 13: Major Component Descriptions



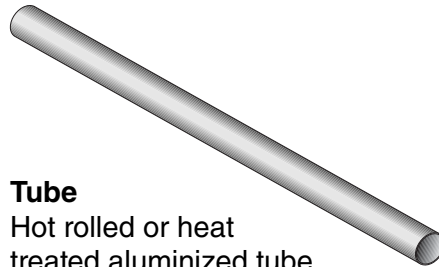
Burner with Tube Gasket
 Must be installed with the flame observation window facing down.

Reflector (Aluminum or Stainless Steel)

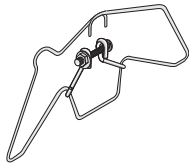
Alternate overlap as shown on overview and on Page 16, Figure 16. Minimum overlap is 6" (16 cm).



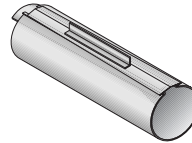
Burner Tube
 Supplied in 10' (3 m) lengths. Burner tube is always the first tube after the burner.



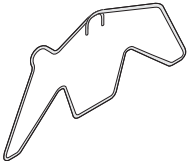
Tube
 Hot rolled or heat treated aluminized tube supplied in 10' (3 m) lengths.



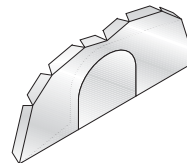
Tube and Reflector Hanger with Clamp Package
 Position this hanger no more than 4" (10 cm) away from the burner.



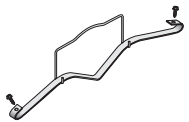
Coupling Assembly with Lock



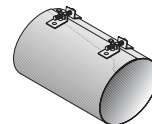
Tube and Reflector Hanger
 Suspend system from these hangers.



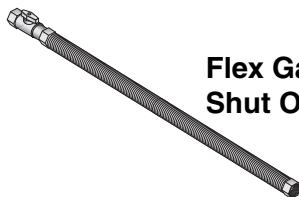
Reflector End Cap
 Punch out center section to accommodate tube.



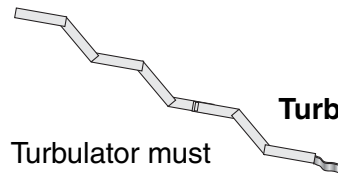
Reflector Support Strap & Wire Form



Vent Adapter



Flex Gas Line with Shut Off Cock



Turbulator

Turbulator must be installed in the last standard section of tube. Turbulator is not required on the CTH2-125/150/175. For installation see Page 20, Section 6.4.

5.1 Standard Parts List

Table 1: Contents of the Burner Carton

| Part No. | Description | CTH2-40 | CTH2-60 | CTH2-80 | CTH2-100 | CTH2-125 | CTH2-150 | CTH2-175 |
|-----------|---|---------|---------|---------|----------|----------|----------|----------|
| 030XXXXX | Burner Assembly (Rate and Fuel Varies) | 1 | 1 | 1 | 1 | 1 | 1 | 1 |
| 02568200 | Gasket (Burner to Burner Tube) | 1 | 1 | 1 | 1 | 1 | 1 | 1 |
| 130100NA | Installation, Operation and Service Manual | 1 | 1 | 1 | 1 | 1 | 1 | 1 |
| 94273914 | Hex Head Bolts 5/16-18 Rolok | 4 | 4 | 4 | 4 | 4 | 4 | 4 |
| 96411600 | Split Lock washer | 4 | 4 | 4 | 4 | 4 | 4 | 4 |
| 91201708 | Pipe Nipple (Black) 1/2" NPT x 4" | 1 | 1 | 1 | 1 | 1 | 1 | 1 |
| 91317300 | 1/4" Quick Disconnect (Wire) | 2 | 2 | 2 | 2 | 2 | 2 | 2 |
| *91412200 | Flexible Stainless Steel Gas Hose - 1/2" NPT (US Models Only) | 1 | 1 | 1 | 1 | 1 | | |
| *91412204 | Flexible Stainless Steel Gas Hose - 3/4" NPT (US Models Only) | - | - | - | - | - | 1 | 1 |
| 03051503 | Turbulator Adapter | 1 | 1 | 1 | 1 | - | - | - |
| 03051504 | Turbulator Aluminized Steel | 2 | 4 | 4 | 2 | - | - | - |
| 03051505 | Turbulator Stainless Steel | 1 | - | - | - | - | - | - |

*Canadian Models: Rubber (Type 1) Gas Hoses available as an accessory. See Page 40, Section 9.

Table 2: Contents of Core and Extension Packages

| Part No. | Description | Core Packages | | | | | | | | Extension Packages | | | | | | | |
|----------|--|---------------|-------------|--------------|-------------|-------------|-------------|--------------|-------------|--------------------|-------------|--------------|-------------|-------------|-------------|--------------|--|
| | | Hot Rolled | | | Aluminized | | | | Hot Rolled | | | | Aluminized | | | | |
| | | 20' (6m) | 30' (9m) | 40' (12m) | 10' (3m) | 20' (6m) | 30' (9m) | 40' (12m) | 10' (3m) | 20' (6m) | 30' (9m) | 40' (12m) | 10' (3m) | 20' (6m) | 30' (9m) | 40' (12m) | |
| 91409300 | Tube, Hot Rolled Steel, 10' (3 m) | 1 | 2 | 3 | - | - | - | - | 1 | 2 | 3 | 4 | - | - | - | - | |
| 91409408 | Tube, HT Aluminized, 10' (3 m) | - | - | - | - | 1 | 2 | 3 | - | - | - | - | 1 | 2 | 3 | 4 | |
| 03051101 | Burner Tube, ALUMI-THERM® Steel, 10' (3 m) | - | 1 | 1 | - | - | 1 | 1 | - | - | - | - | - | - | - | - | |
| 03051601 | Burner Tube, HT ALUMI-THERM® Steel, 10' (3 m) | 1 | - | - | 1 | 1 | - | - | - | - | - | - | - | - | - | - | |
| 01312700 | Coupling Assembly | 1 | 2 | 3 | - | 1 | 2 | 3 | 1 | 2 | 3 | 4 | 1 | 2 | 3 | 4 | |
| 02750303 | Standard Reflector, 8' (3.5 m) | 3 | 4 | 6 | 2 | 3 | 4 | 6 | 2 | 3 | 4 | 6 | 2 | 3 | 4 | 6 | |
| 02750800 | End Cap | 2 | 2 | 2 | 2 | 2 | 2 | 2 | - | - | - | - | - | - | - | - | |
| 03090100 | Tube and Reflector Hanger | 3 | 4 | 5 | 2 | 3 | 4 | 5 | 1 | 2 | 3 | 4 | 1 | 2 | 3 | 4 | |
| 91907302 | S-Hook | 3 | 4 | 5 | 2 | 3 | 4 | 5 | 1 | 2 | 3 | 4 | 1 | 2 | 3 | 4 | |
| 03050010 | Reflector Support Package (Strap, Wire Form, Screws) | 2 | 3 | 5 | 1 | 2 | 3 | 5 | 2 | 3 | 4 | 6 | 2 | 3 | 4 | 6 | |
| 91107720 | U-Clip Package | 1 | 1 | 1 | 1 | 1 | 1 | 1 | 1 | 1 | 1 | 1 | 1 | 1 | 1 | 1 | |
| 90502700 | Vent Adapter | 1 | 1 | 1 | 1 | 1 | 1 | 1 | - | - | - | - | - | - | - | - | |
| 01318901 | Tube Clamp Package | 1 | 1 | 1 | 1 | 1 | 1 | 1 | - | - | - | - | - | - | - | - | |
| | Part Number | CP20HRS | CP30HRS | CP40HRS | CP10ALUM | CP20ALUM | CP30ALUM | CP40ALUM | EXP10HRS | EXP20HRS | EXP30HRS | EXP40HRS | EXP10ALUM | EXP20ALUM | EXP30ALUM | EXP40ALUM | |

Table 3: Component Package Guide

| Model | Tubing Length | Core Packages | |
|----------|---------------|--------------------|----------------------|
| | Minimum | Standard | Aluminized |
| CTH2-40 | 10' (3m) | - | CP10ALUM |
| CTH2-60 | 20' (6m) | CP20HRS | CP20ALUM |
| CTH2-80 | 20' (6m) | CP20HRS | CP20ALUM |
| CTH2-100 | 30' (9m) | CP30HRS | CP30ALUM |
| CTH2-125 | 40' (12m) | CP40HRS | CP40ALUM |
| CTH2-150 | 50' (15m) | CP30HRS + EXP20HRS | CP30ALUM + EXP20ALUM |
| CTH2-175 | 60' (18m) | CP30HRS + EXP30HRS | CP30ALUM + EXP30ALUM |

Additional tubing length may be added to heater. Tubing must be heat-treated, aluminized or porcelain coated. Any additional tubing lengths are considered as vent length for length determination. Maximum venting length for minimum heater length is 45' (13.7 m) total.

SECTION 6: HEATER INSTALLATION**⚠ WARNING****Severe Injury Hazard**

Secure burner to burner tube with bolts and lockwashers.

Hang heater with materials with a minimum working load of 75 lbs (33 kg).

Failure to follow these instructions can result in death, injury or property damage.

Typical installation configurations are shown in *Figure 14*.

Expansion and contraction of the tube dictates that the minimum suspension lengths in the table on *Page 14, Figure 14* be maintained.

⚠ WARNING**Cut/Pinch Hazard**

Wear protective gear during installation, operation and service.

Edges are sharp.

Failure to follow these instructions can result in injury.

To ensure your safety, and comply with the terms of the warranty, all units must be installed in accordance with these instructions.

The gas or the electrical supply lines must not be used to support the heater.

Do not locate the gas or electric supply lines directly over the path of the flue products from the heater.

The heater must be installed in a location that is readily accessible for servicing.

The heaters must be installed in accordance with clearances to combustibles as indicated on the rating plate and in this instruction manual.

The minimum and maximum gas inlet pressures must be maintained as indicated on the rating plate.

FIGURE 14: Critical Hanger Placement

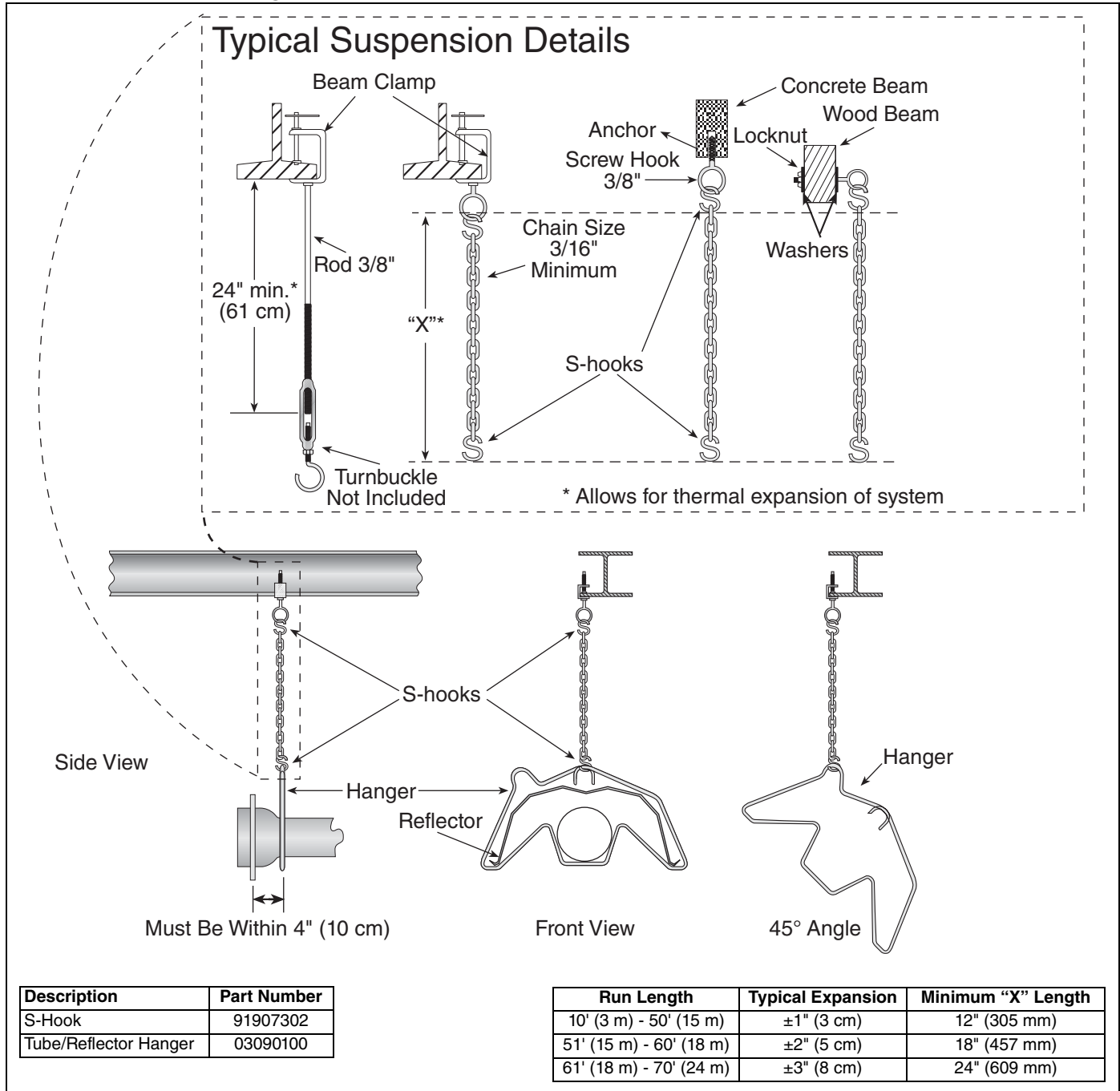


FIGURE 15: Linear Heater Assembly Overview

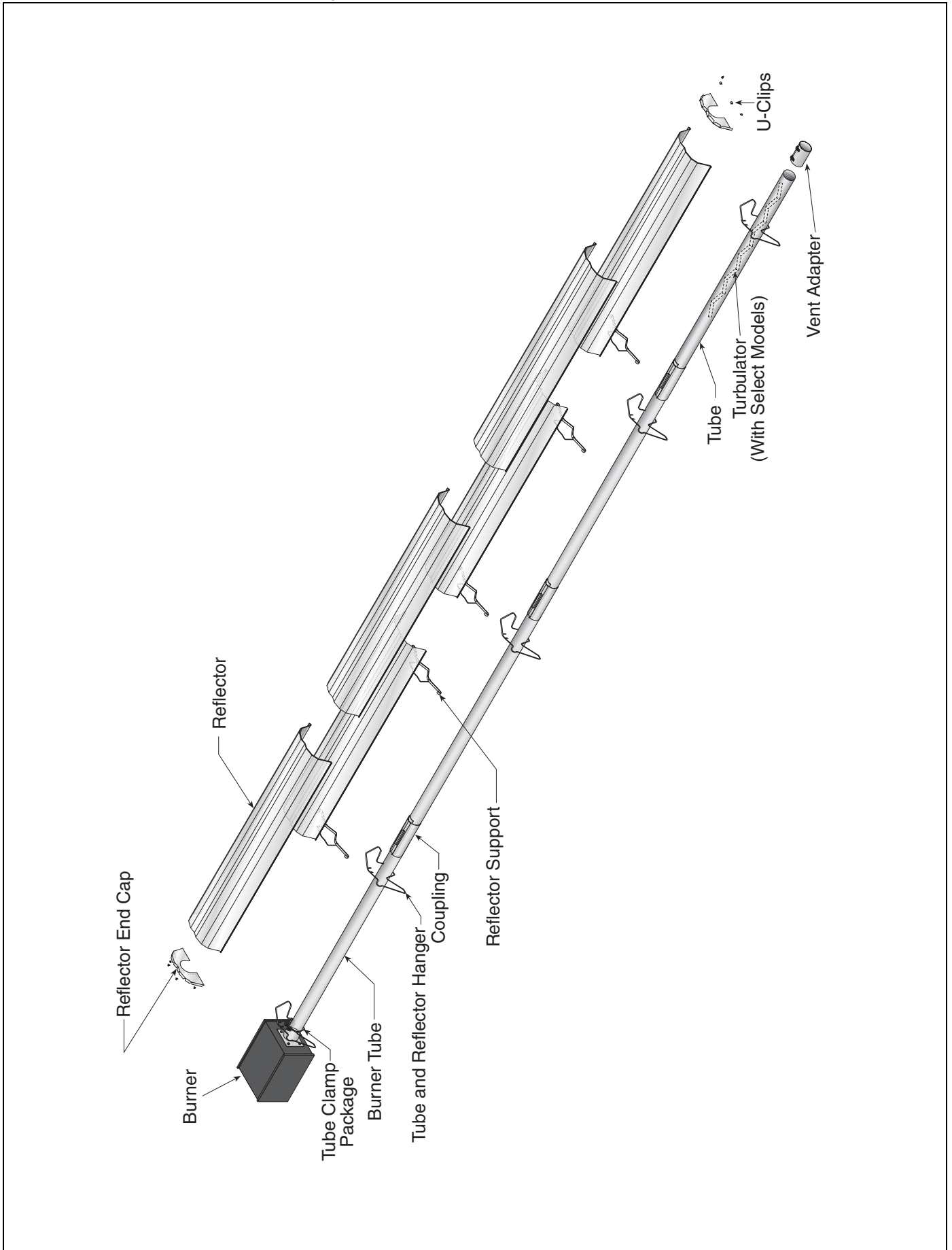

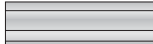






FIGURE 16: Linear Heater Layout Overview

| LEGEND | |
|---|-----------------------|
|  | Burner |
|  | Reflector |
|  | Tube |
|  | Tube/Reflector Hanger |
|  | Coupling Assembly |
|  | Vent Adapter |
| <p>a = 14" (36 cm) reflector width (not shown)</p> <p>b = 2" (5 cm) end cap to burner</p> <p>c = 2" (5 cm) end cap to hanger</p> <p>d = 7'6" (229 cm) distance first hanger</p> <p>e = 10' (305 cm) distance between hangers</p> <p>f = 9.5" (24 cm) burner height</p> <p>g = 17.5" (44 cm) burner length</p> | |

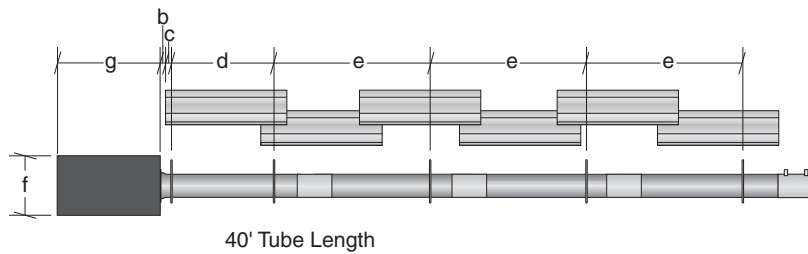
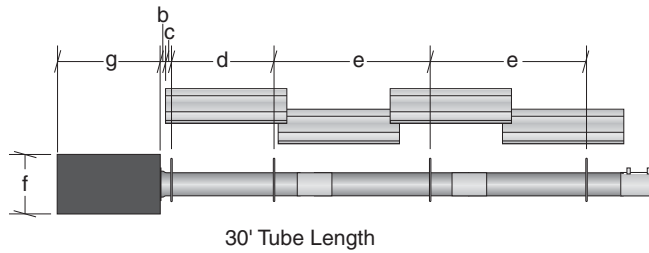
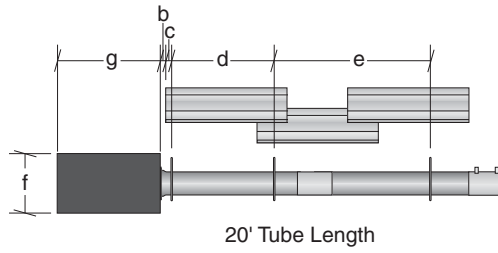
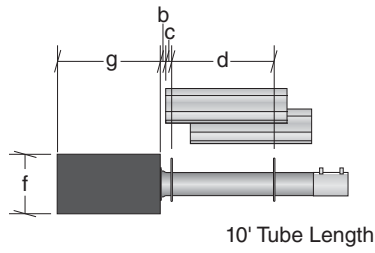
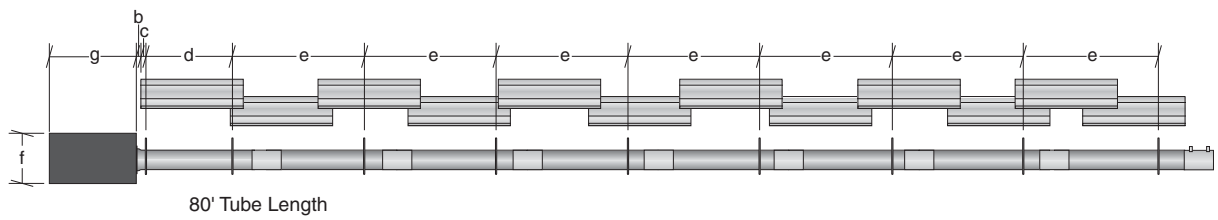
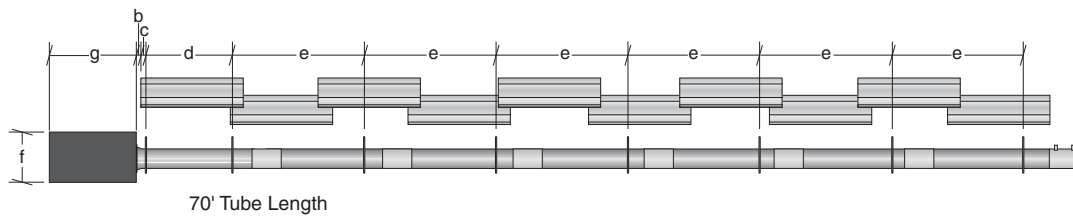
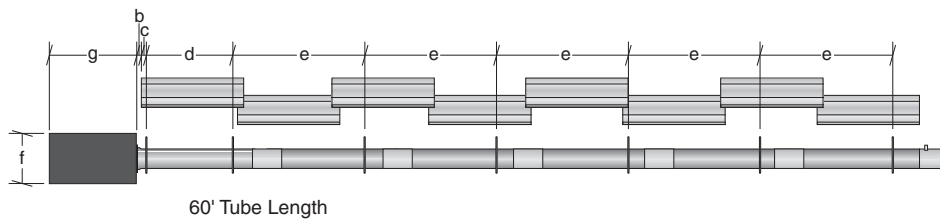
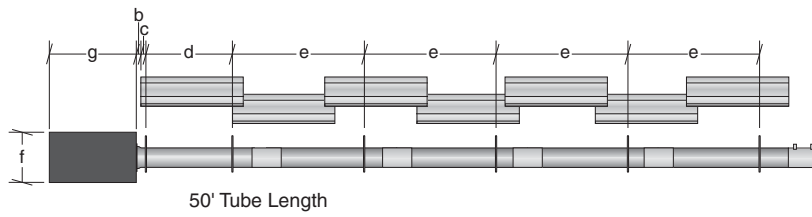


FIGURE 17: Linear Heater Layout Overview (Continued)



Step 6.1 Burner Tube Installation

NOTE:
 Tubing requires a downward slope of 1/2" (1.3 cm) per 20' (6 m) away from burner.

Offset mounting hole must be to the top.

Weld seam must be to the bottom of the tube.

7' 6" ± 1'
 (229 cm ± 25 cm)

| Description | Part Number |
|-----------------------|-------------|
| Burner Tube | 03051XXX |
| S-Hook | 91907302 |
| Tube/Reflector Hanger | 03090100 |

Step 6.2 Tube Clamp Package Installation

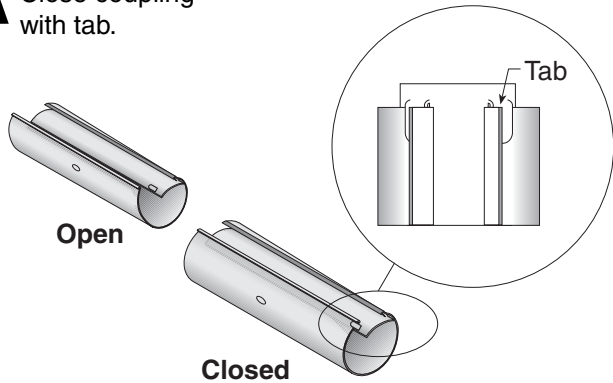
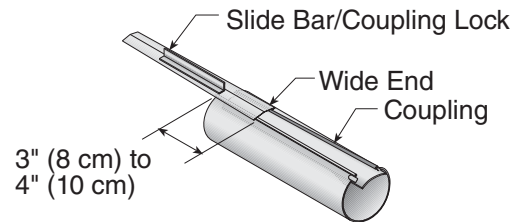
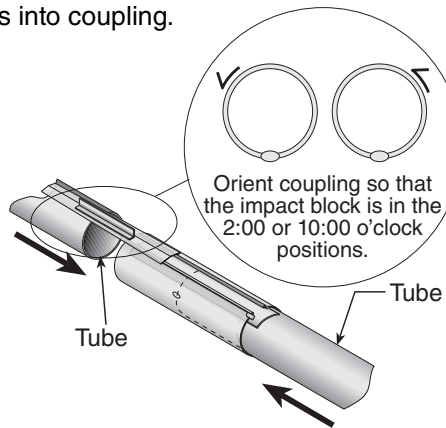
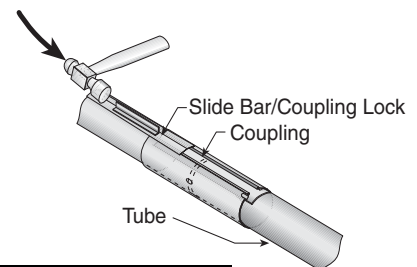
Tube Clamp

Bolt

Flat Washer

Nut
 (Torque 120 in/lb
 13.56 Nm)

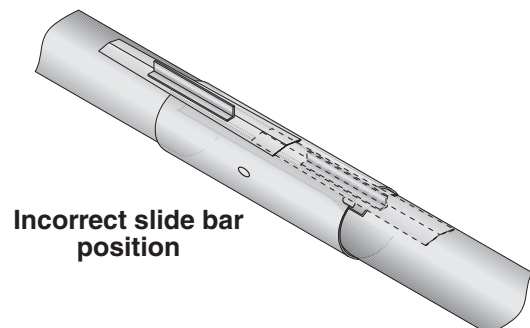
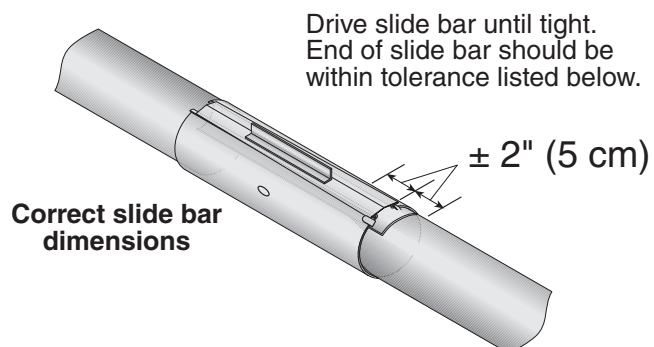
| Description | Part Number |
|---------------------------|-----------------|
| Tube Clamp Package | 01318901 |
| Tube Clamp | 01396801 |
| Bolt | 97113940 |
| Flat Washer | 95211600 |
| Nut | 92113900 |

Step 6.3 Coupling and Tube Assembly**A** Close coupling with tab.**B** Start Slide bar/Coupling Lock onto coupling.**C** Insert tubes into coupling.**D** Tighten coupling to join tubes.

| Description | Part Number |
|-------------------------|-------------|
| Coupling | 01329600 |
| Slide Bar/Coupling Lock | 01329700 |
| Tube | 91409XXX |

Step 6.3.1 Coupling and Tube Assembly (Continued)

Tighten slide bar as shown below.



- Repeat Step 6.3 A - D until all tubes are assembled. See Page 20, Section 6.3.2.

Step 6.3.2 Coupling and Tube Assembly (Continued)

| Model | Tube Length Minimum |
|----------|---------------------|
| CTH2-40 | 10' (3 m) |
| CTH2-60 | 20' (6 m) |
| CTH2-80 | 20' (6 m) |
| CTH2-100 | 30' (9 m) |
| CTH2-125 | 40' 12 m) |
| CTH2-150 | 50' (15 m) |
| CTH2-175 | 60' (18 m) |

Step 6.4 Turbulator Installation

Turbulator must be installed in the last standard section of tube. Turbulator is not required on the CTH2-125/150/175.

| Turbulator Installation | |
|-------------------------|-----------------|
| Model | Tube Section |
| CTH2-40 | 1st 10' Section |
| CTH2-60 | 2nd 10' Section |
| CTH2-80 | 2nd 10' Section |
| CTH2-100 | 3rd 10' Section |
| CTH2-125 | N/A |
| CTH2-150 | N/A |
| CTH2-175 | N/A |

Turbulator Section (stainless) used in CTH2-40 heaters must be in the section of tube nearest to the burner.

Fold tab around outside of tube nearest to the vent to hold turbulator in place. Where a vent sleeve is used, do not fold tab.

| Description | Part Number |
|--------------------------------|-------------|
| Turbulator Adapter | 03051503 |
| Turbulator Section | 03051504 |
| Turbulator Section (stainless) | 03051505 |
| Tube | 91409XXX |

Step 6.5 Reflector Installation

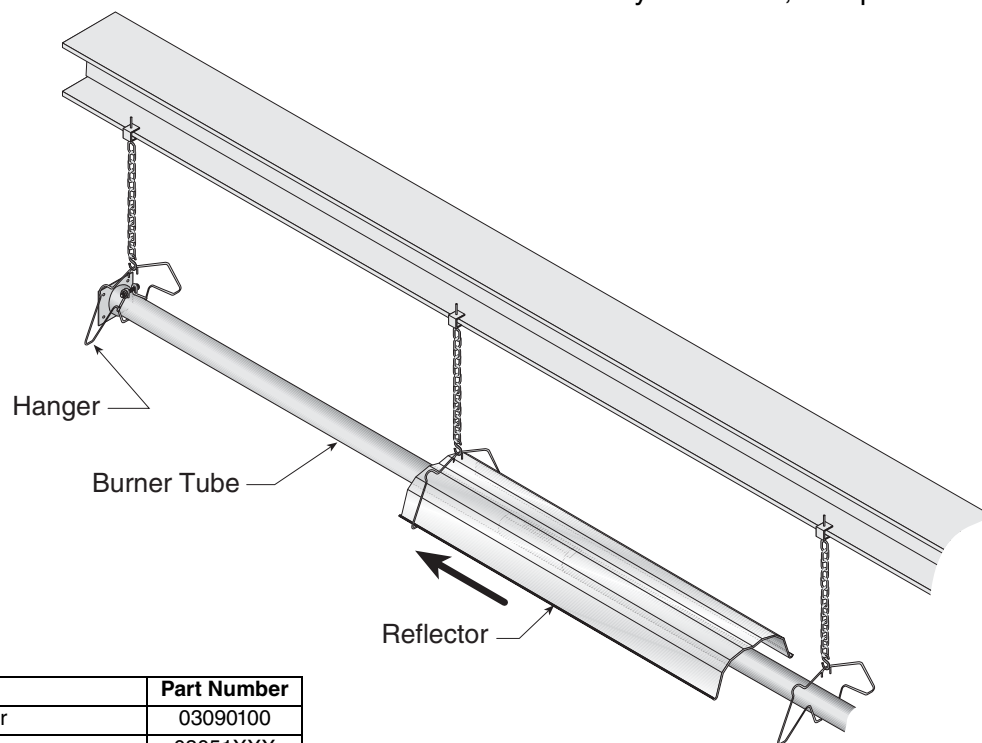
⚠ WARNING**Fire Hazard**

Support reflector with reflector hanger and support strap.

Reflector must not touch tube.

Failure to follow these instructions can result in death, injury or property damage.

NOTE: All tube surfaces must be covered by a reflector, except for a U-Tube.



| Description | Part Number |
|-----------------------|-------------|
| Tube/Reflector Hanger | 03090100 |
| Burner Tube | 03051XXX |
| Reflector | 02750303 |

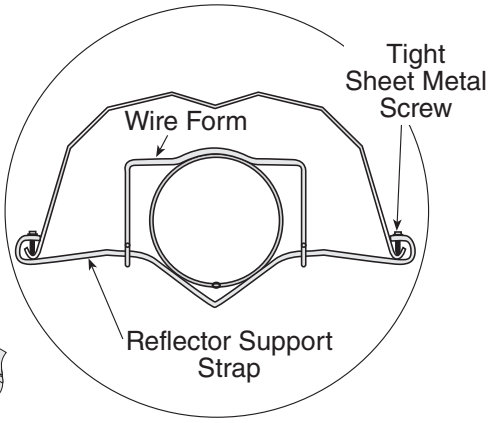
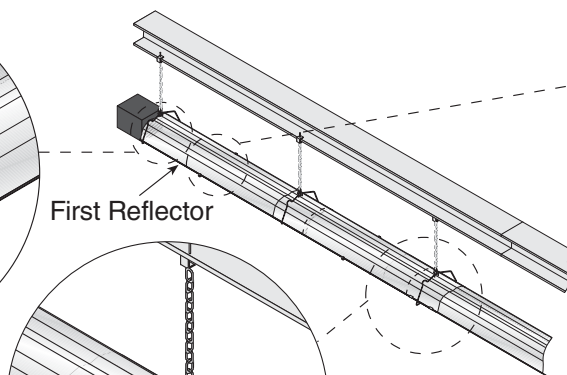
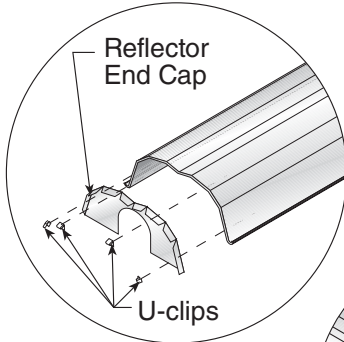
Step 6.5.1 Reflector, U-Clip and Reflector Support Installation

The pictorial drawings of the heater construction in *Section 6* are schematic only and provide a general guideline of where hangers, reflector supports and U-clips are to be installed.

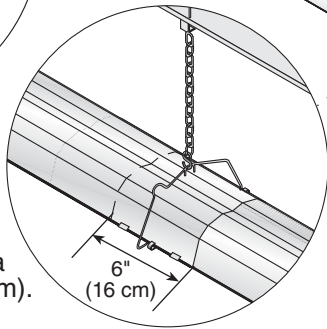
tor supports and U-clips depends on the individual installation. Use either pop rivets or sheet metal screws instead of u-clips when installing end caps and joint pieces in areas where impact and high wind may be a factor. The following rules must be observed.

To ensure proper expansion and contraction movement of the reflectors, a combination of U-clips and reflector supports are used. The positioning of reflector

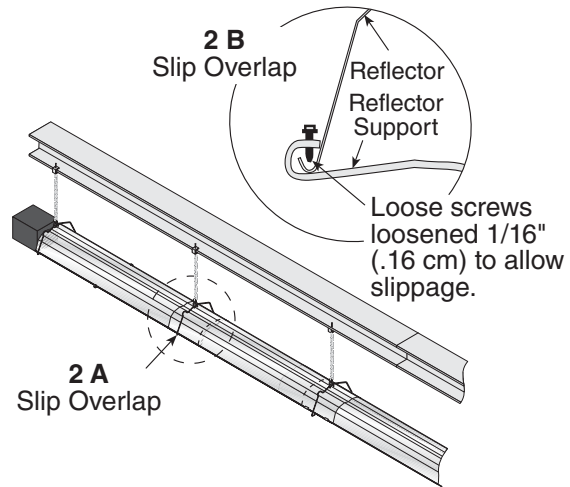
1. The first reflector after the burner must be affixed in the middle of the reflector with a reflector support and tight screws.



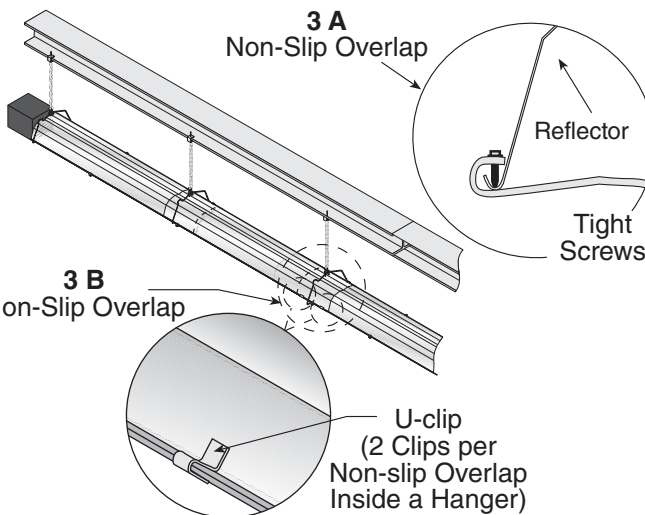
Overlap must be a minimum of 6" (16 cm).



2. The overlap at the first and second reflector is a **slip overlap**. Thereafter, every third reflector joint is a slip overlap. A slip overlap is achieved by either:
 - a.) both reflectors lay inside a hanger. (No reflector support needed.)
 - b.) using a reflector support with loose screws at the reflector overlap.



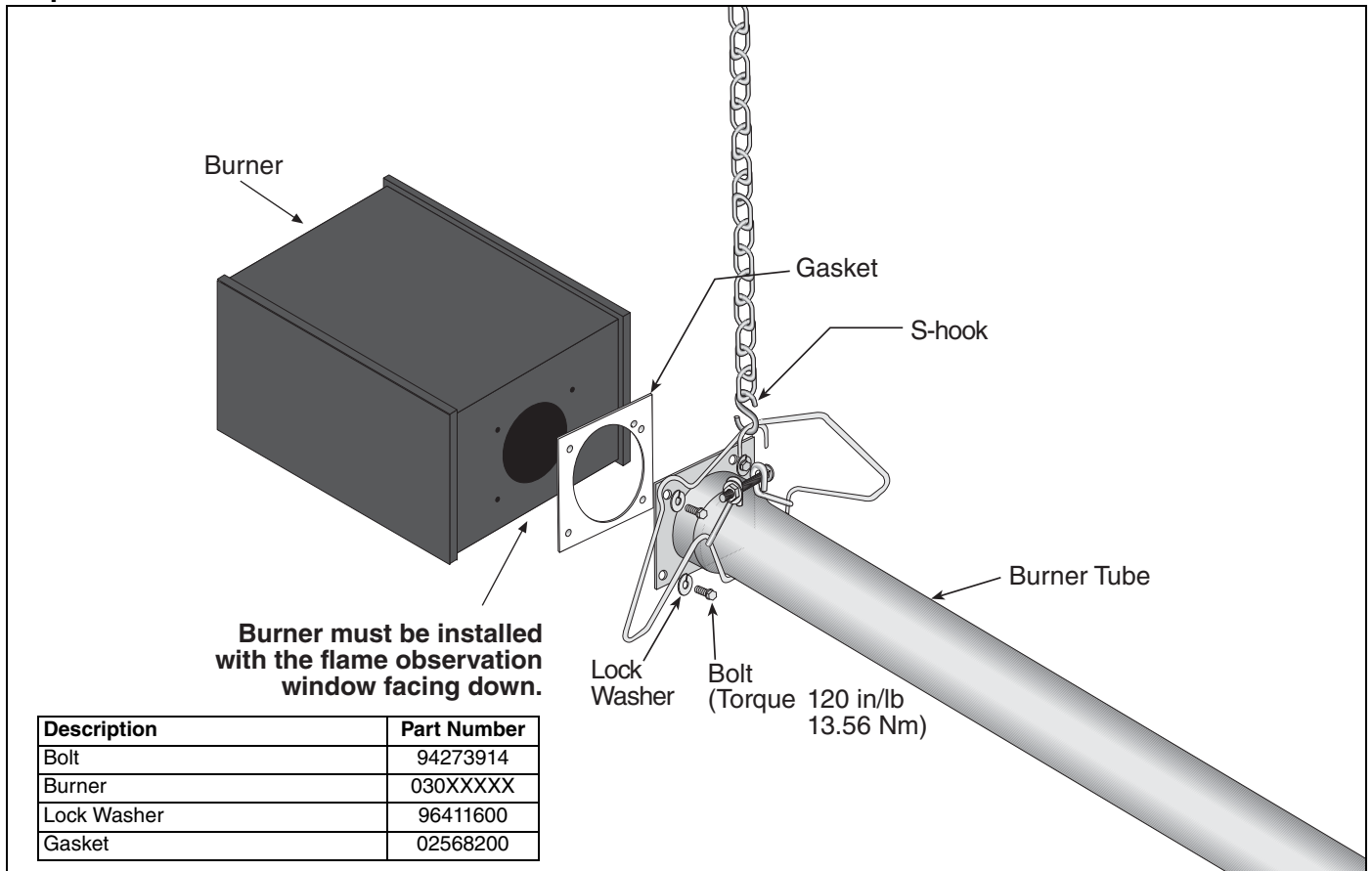
3. The remaining reflector overlaps require a **non-slip overlap** connection. To affix the reflectors together in a non-slip overlap either:
 - a.) use reflector support and tight screws.
 - b.) if both reflectors lay inside a hanger, u-clips or sheet metal screws may be used.



This section of three reflectors joined together must be affixed to the tube with at least one reflector support with tight screws.

| Description | Part Number |
|----------------------------------|-----------------|
| Reflector Support Package | 03050010 |
| Wire Form | 91908004 |
| Reflector Support Strap | 03050000 |
| Screw #8 x 3/4 | 94320812 |
| U-Clip Package | 91107720 |
| Reflector End Cap | 027508XX |

Step 6.6 Burner Installation



SECTION 7: OPTIONAL HEATER ACCESSORIES

| |
|---|
| ⚠ WARNING |
|  |
| <p style="text-align: center;">Cut/Pinch Hazard</p> <p>Wear protective gear during installation, operation and service.</p> <p>Edges are sharp.</p> <p>Failure to follow these instructions can result in injury.</p> |

7.1 U-Tube Configuration

Heaters (except CTH2-40) are approved for optional U-Tube configurations.

The U-Tube may be installed in either a standard horizontal position, a 45° position or in an opposite 45° position as shown on *Page 7, Figure 7 through Figure 9*. When using a U-Tube configuration, the following additional rules must be adhered to:

- A minimum of 10' (3 m) on CTH2-60/80 and a minimum of 15' (4.5 m) on CTH2-100/125/150/175 is required between the burner and the U-Tube.
- The correct turbulator (*See Page 20, Figure 6.4*) must be installed in the last standard section of tube.
- The burner must never be operated in a tilted position.
- The heater must be properly supported at all locations. *See Page 26, Figure 19.*

FIGURE 18: U-Tube Heater Assembly Overview

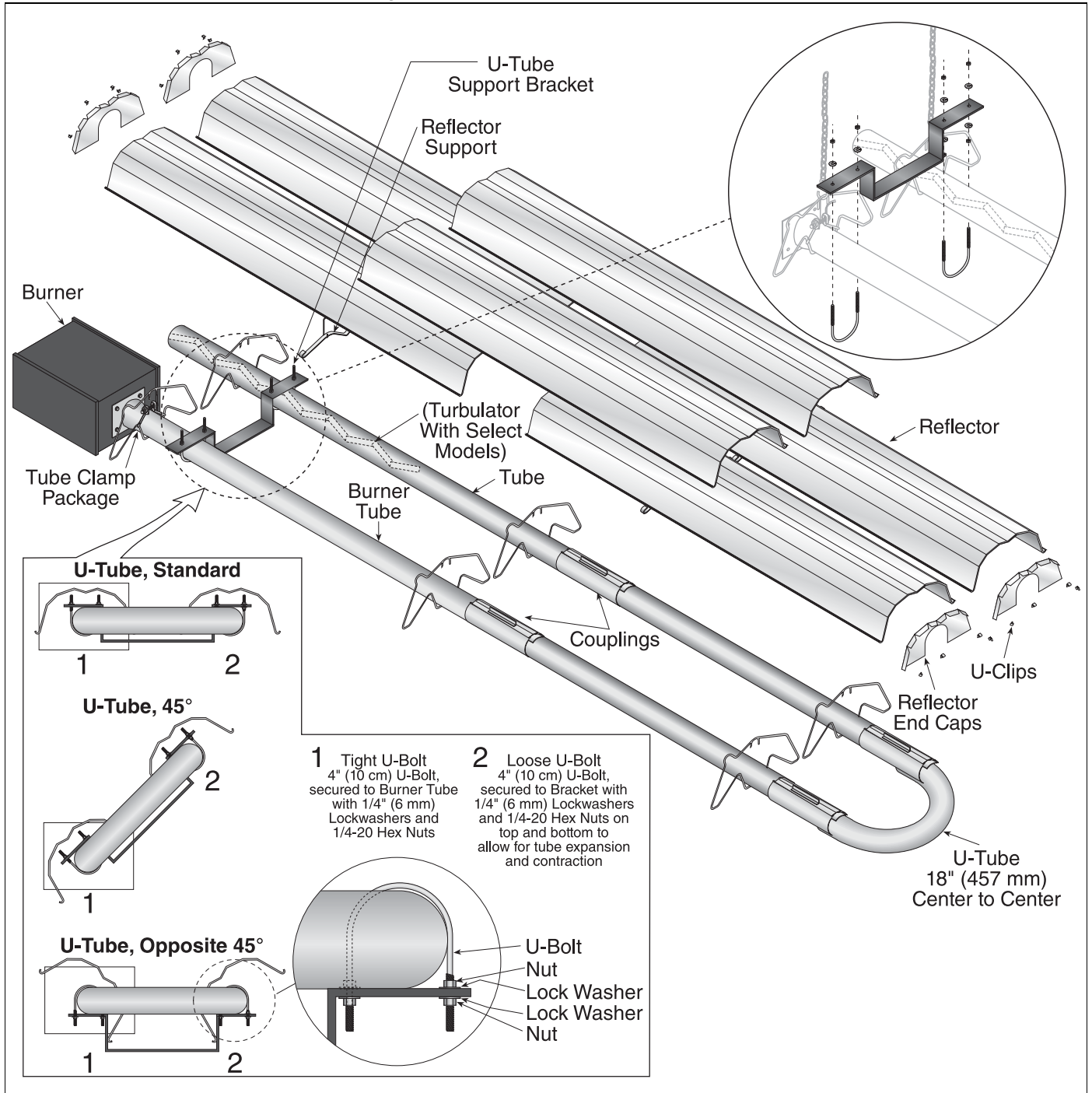
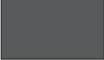








FIGURE 19: U-Tube Heater Layout Overview

| LEGEND | |
|---|-----------------------|
|  | Burner |
|  | Reflector |
|  | Tube 10' |
|  | Tube 5' ** |
|  | Tube/Reflector Hanger |
|  | Coupling Assembly |
|  | U-Tube |

a = 14" (36 cm)
reflector width (not shown)

b = 2" (5 cm)
end cap to burner

c = 2" (5 cm)
end cap to hanger

d = 7'6" (229 cm)
distance first hanger

e = 10' (305 cm)
distance between hangers

f = 5' (153 cm)
distance between last full tube hanger and half tube hanger

g = 17.5" (44 cm)
burner length

h = 9.5" (24 cm)
burner height

*Requires the last **reflector** before the U-Tube to be cut in half for use on both sides.

Requires the last **tube before the U-Tube to be cut in half for use on both sides.

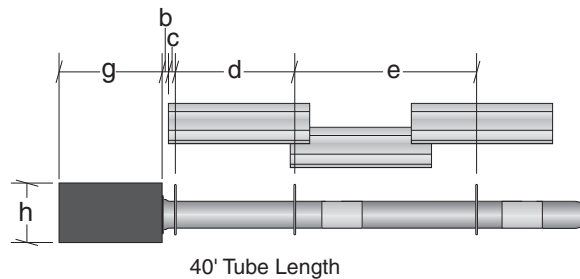
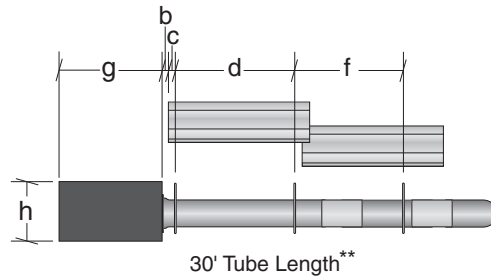
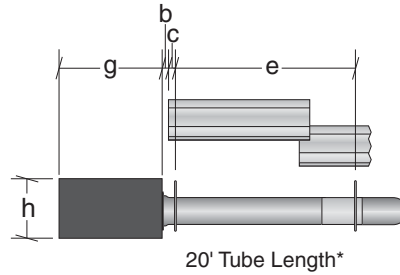
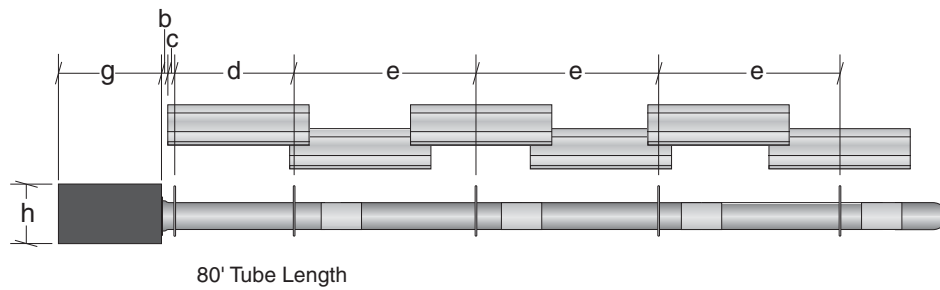
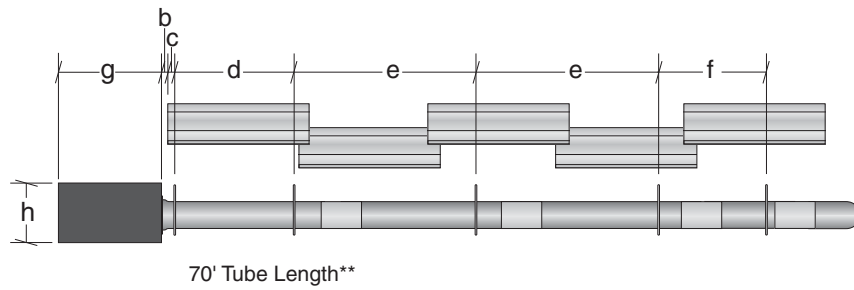
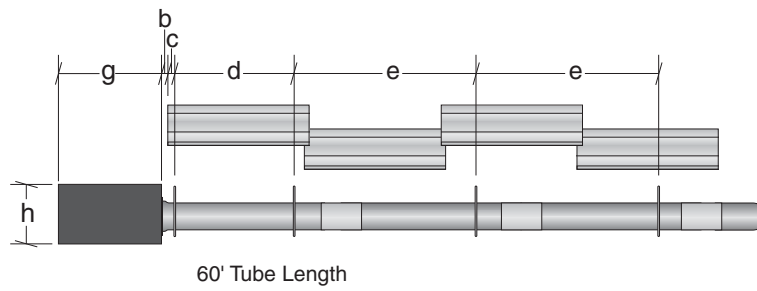
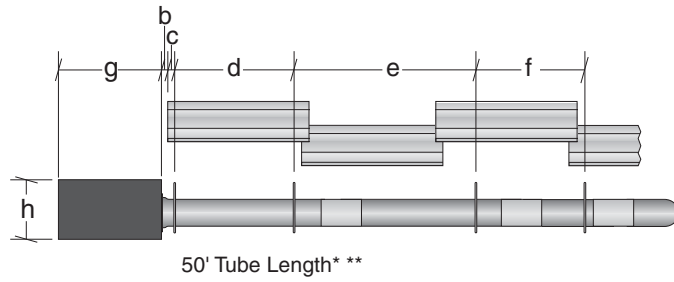


FIGURE 20: U-Tube Heater Layout Overview (Continued)



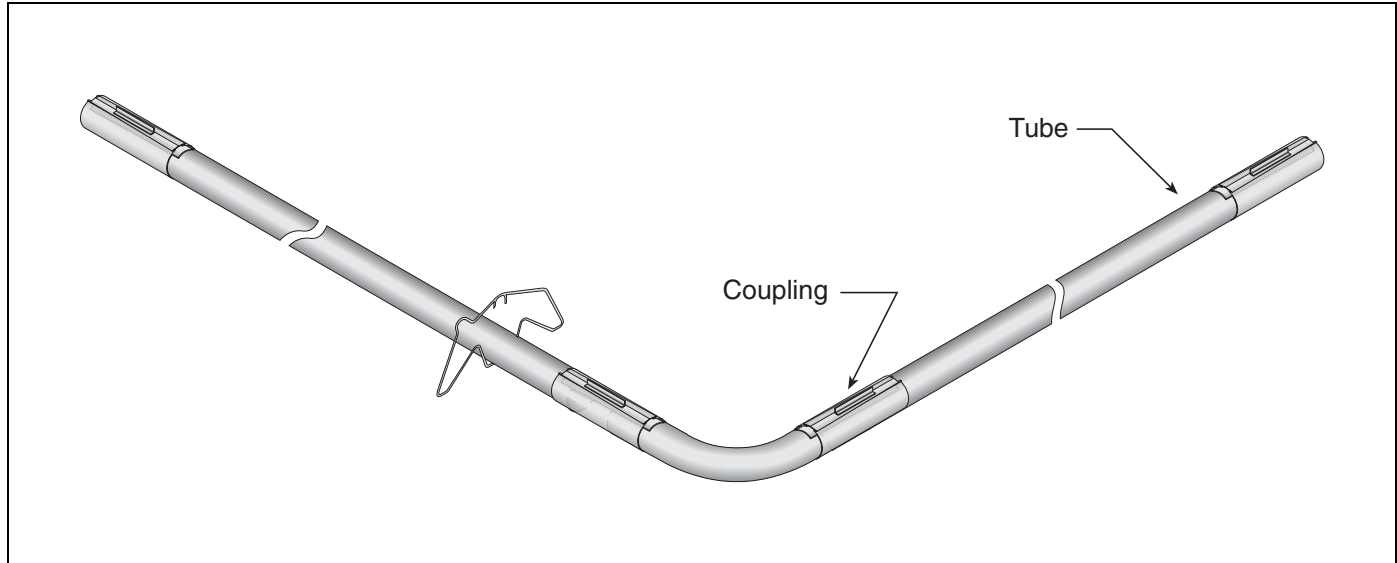
7.2 Elbow Package Configuration

Step 7.2.1 Elbow Installation

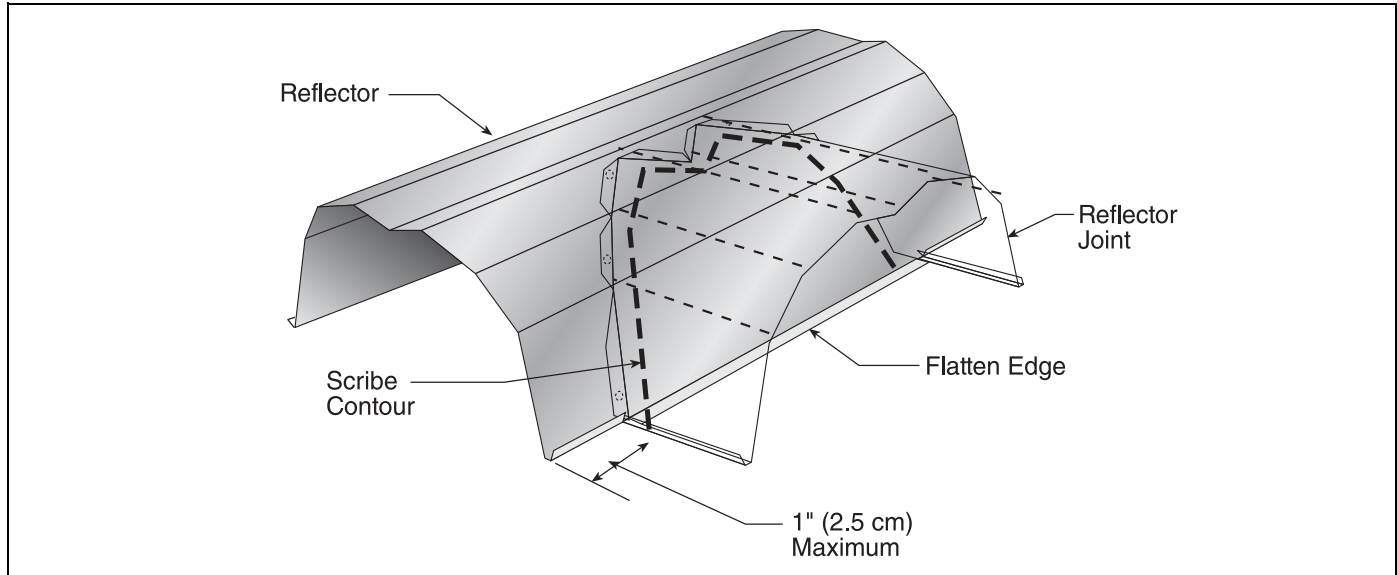
| Description | Part Number |
|-----------------------|-----------------|
| Elbow Package | 02718702 |
| 90° Elbow | 01335801 |
| Coupling | 01312700 |
| Reflector End Cap | 02750800 |
| Reflector Joint Piece | 02750900 |
| U-Clip Package | 91107720 |

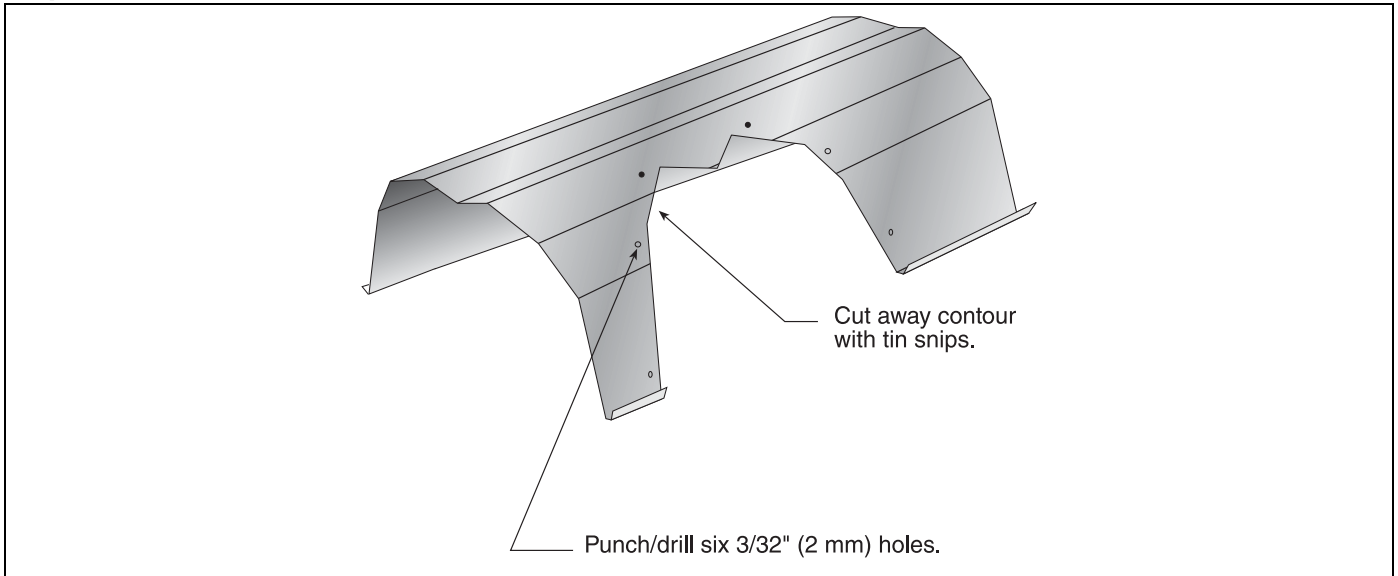
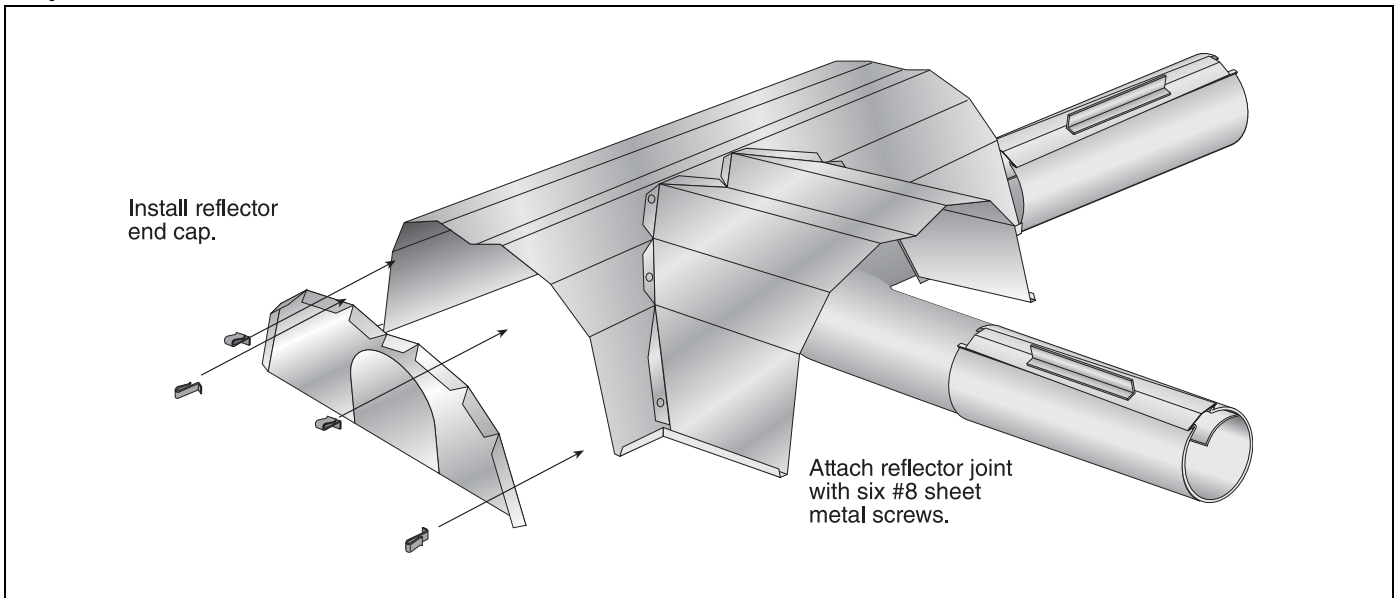
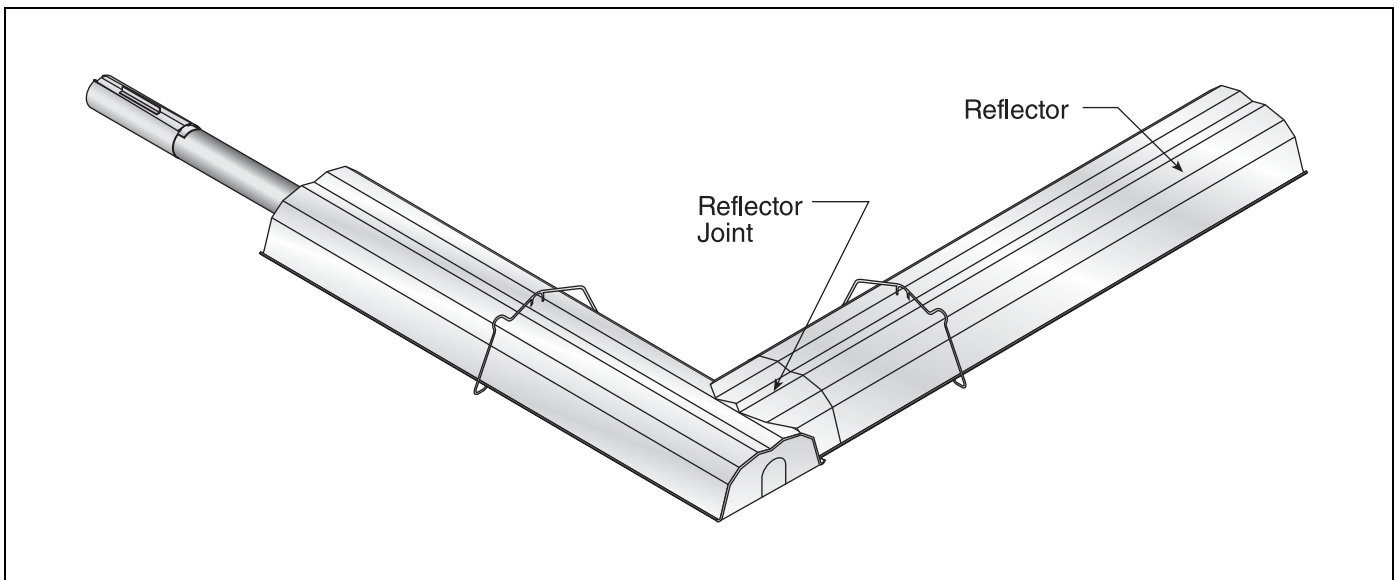
| Minimum Distance Required Between Burner and Elbow | |
|--|------------------|
| Model | Minimum Distance |
| CTH2-40 | - |
| CTH2-60 | 10' (3 m) |
| CTH2-80 | 10' (3 m) |
| CTH2-100 | 15' (4.5 m) |
| CTH2-125 | 15' (4.5 m) |
| CTH2-150 | 15' (4.5 m) |
| CTH2-175 | 15' (4.5 m) |

Step 7.2.2 Elbow Installation



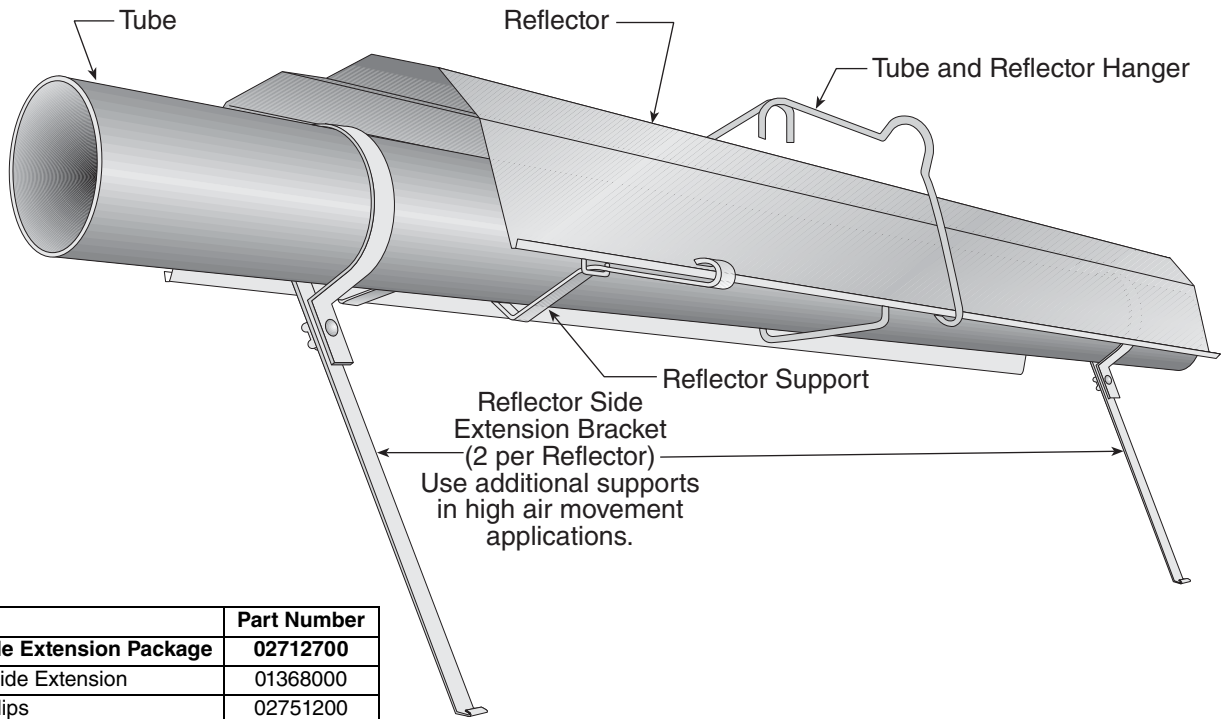
Step 7.2.3 Reflector Joint Installation



Step 7.2.4 Reflector Joint Installation**Step 7.2.5 Reflector Joint Detail****FIGURE 21: Reflector Joint Detail**

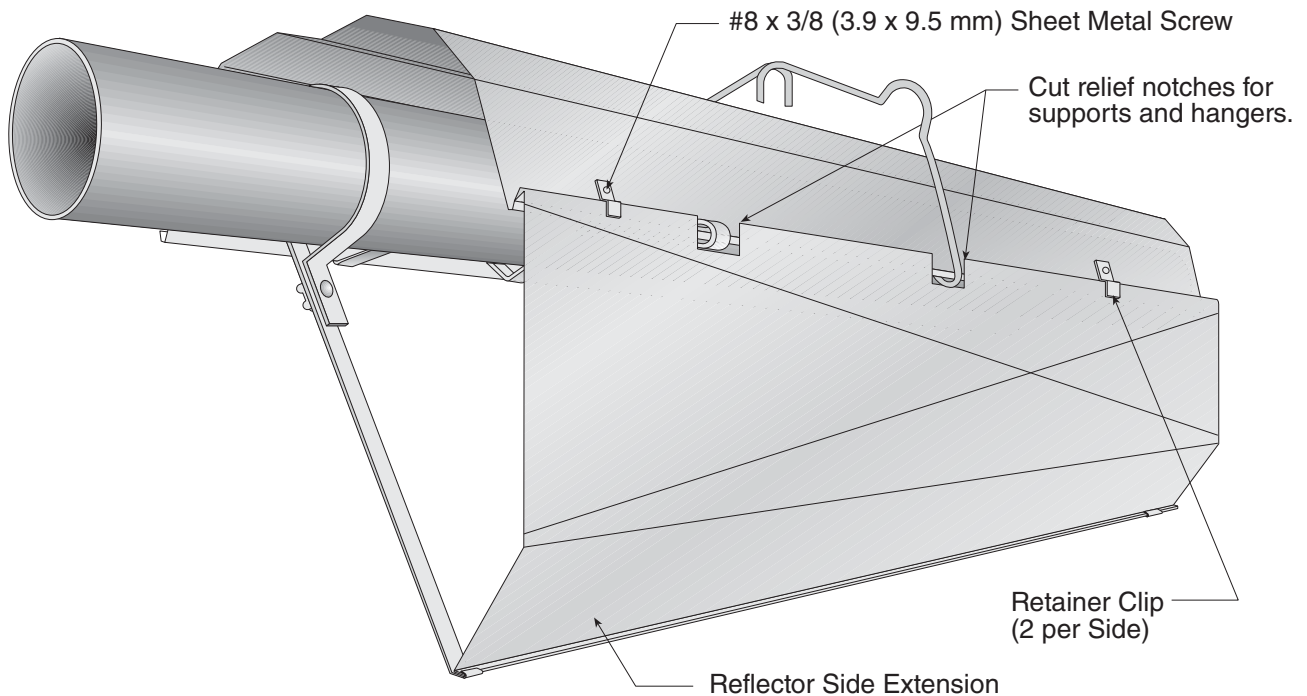
7.3 Reflector Side Extension

Step 7.3.1 Bracket Installation



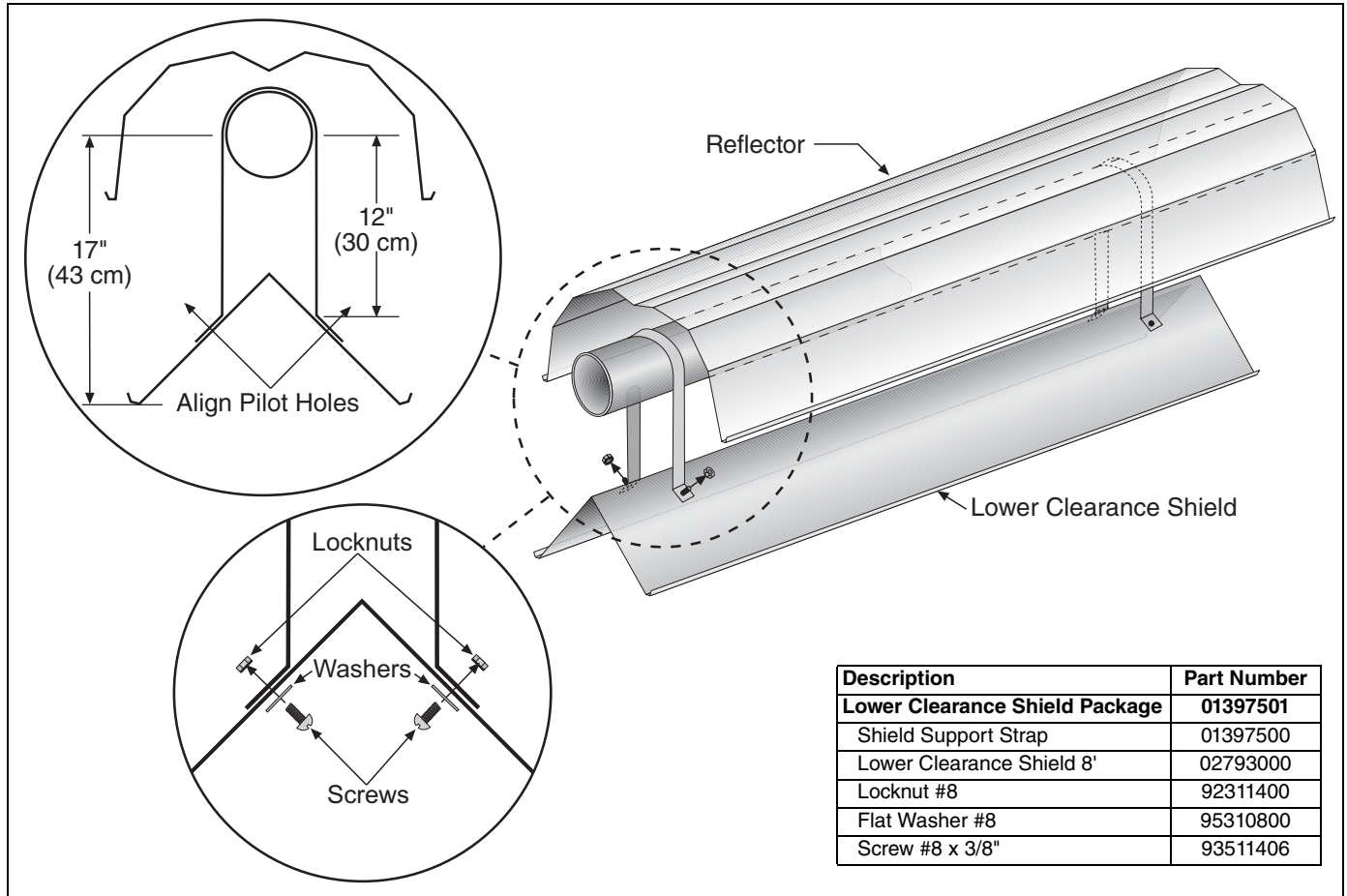
| Description | Part Number |
|---|-----------------|
| Reflector Side Extension Package | 02712700 |
| Reflector Side Extension | 01368000 |
| Retainer Clips | 02751200 |
| Sheet Metal Screws | 94118106 |
| Order Separately | |
| Reflector Side Extension | 01329910 |

Step 7.3.2 Side Reflector Installation



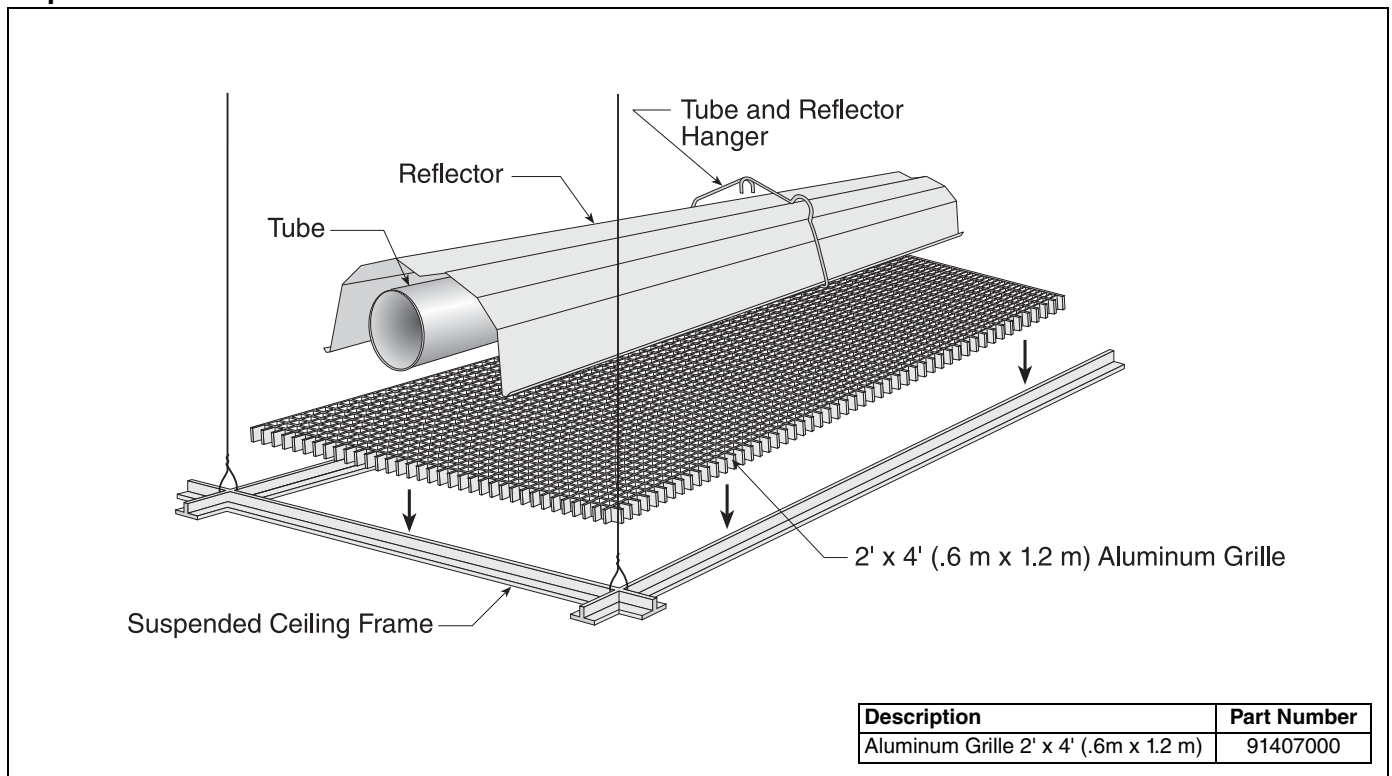
7.4 Lower Clearance Shield Installation

Step 7.4.1 Shield Support Strap Assembly

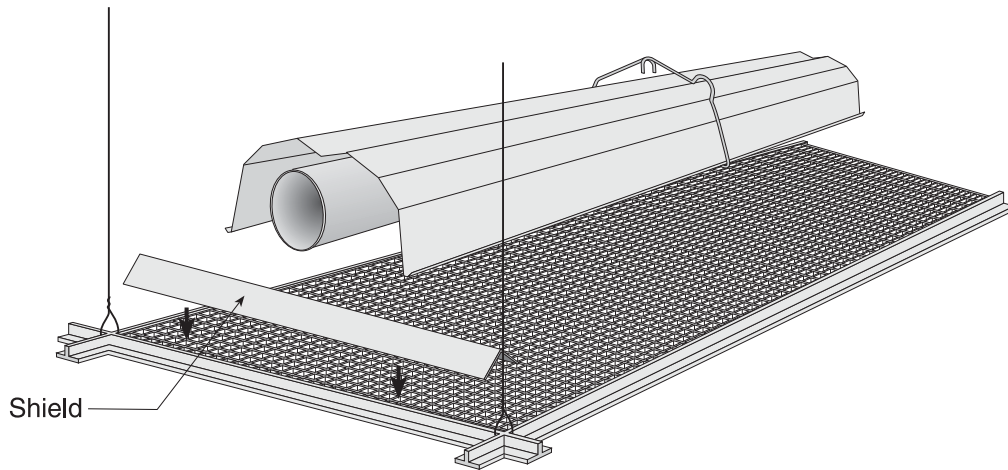


7.5 Two-Foot Decorative Grille Installation

Step 7.5.1 Grille Installation



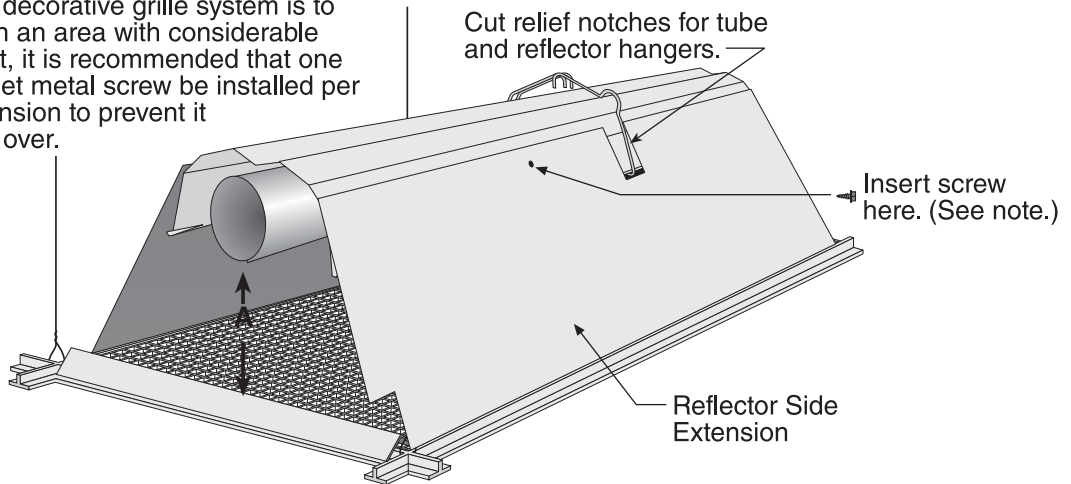
Step 7.5.2 Frame Shield Installation



| Description | Part Number |
|--------------------|-------------|
| Deco Grille Shield | 01365900 |

Step 7.5.3 Reflector Side Extension Installation for Decorative Grilles

NOTE: If the decorative grille system is to be installed in an area with considerable air movement, it is recommended that one #8 x 3/8" sheet metal screw be installed per reflector extension to prevent it from blowing over.

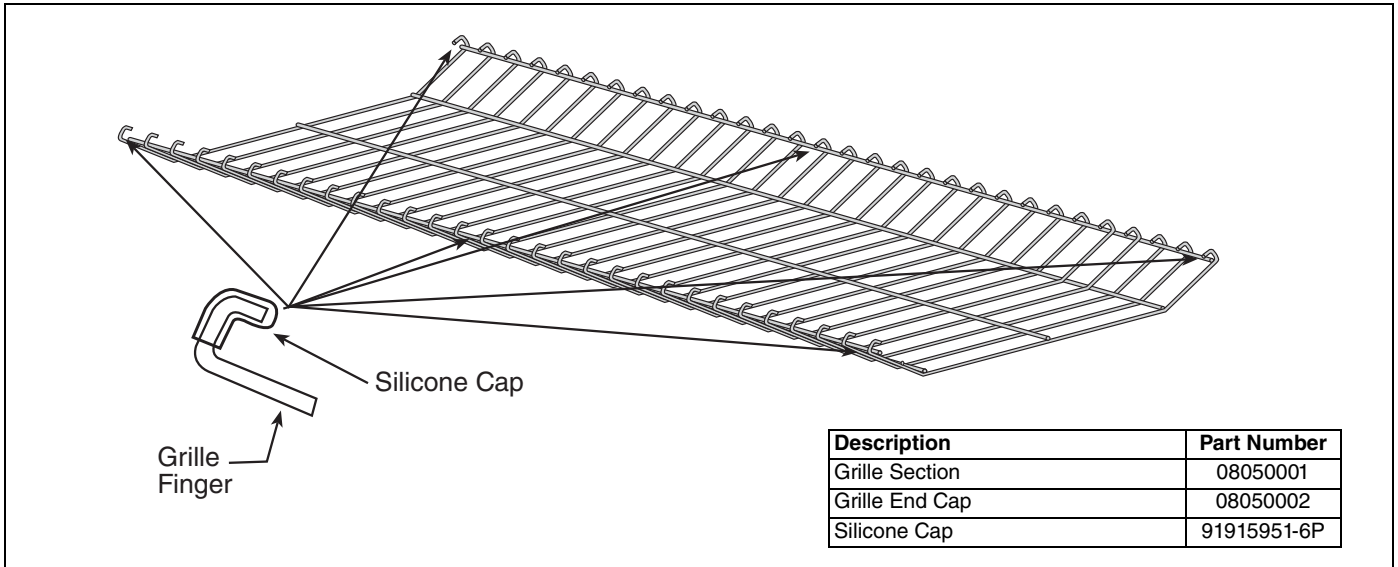


| Distance "A" | | Extension | |
|--------------|-------------|-----------|-------------|
| Minimum | Maximum | Part No. | Width |
| 2" (4 cm) | 6" (15 cm) | 01370408 | 8" (20 cm) |
| 6" (15 cm) | 10" (26 cm) | 01370412 | 12" (30 cm) |
| 10" (26 cm) | 14" (37 cm) | 01370416 | 16" (40 cm) |

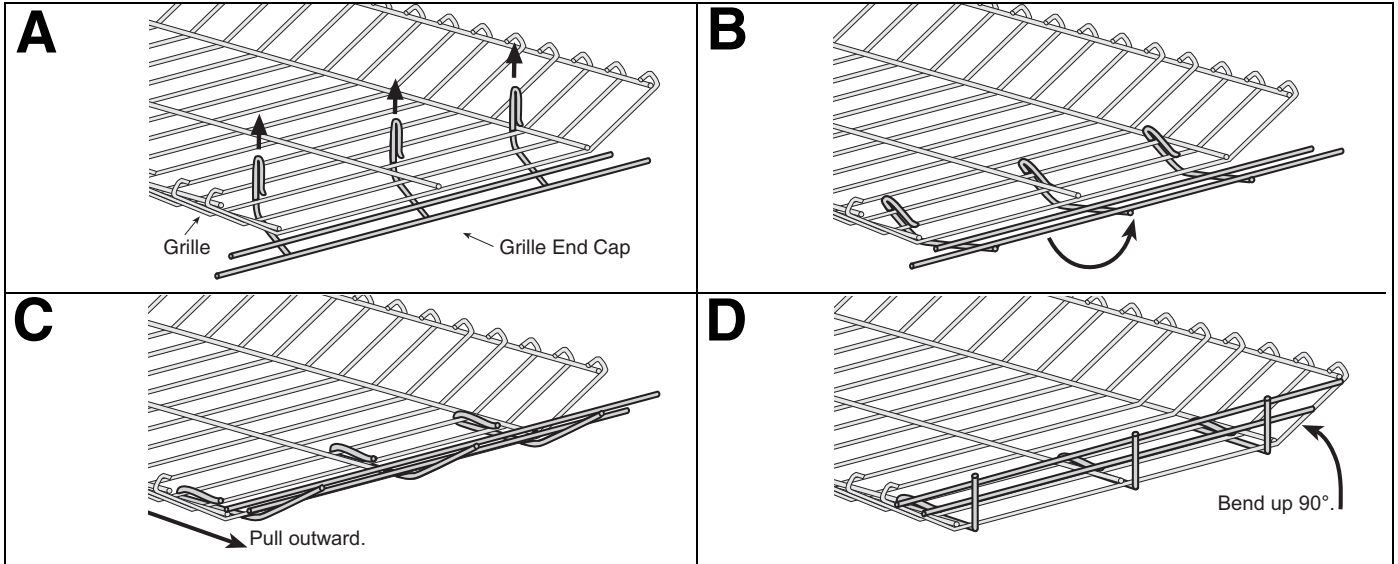
| Description | Part Number |
|--------------------------|-------------|
| Reflector Side Extension | 01370412 |

7.6 Protective Grille Installation

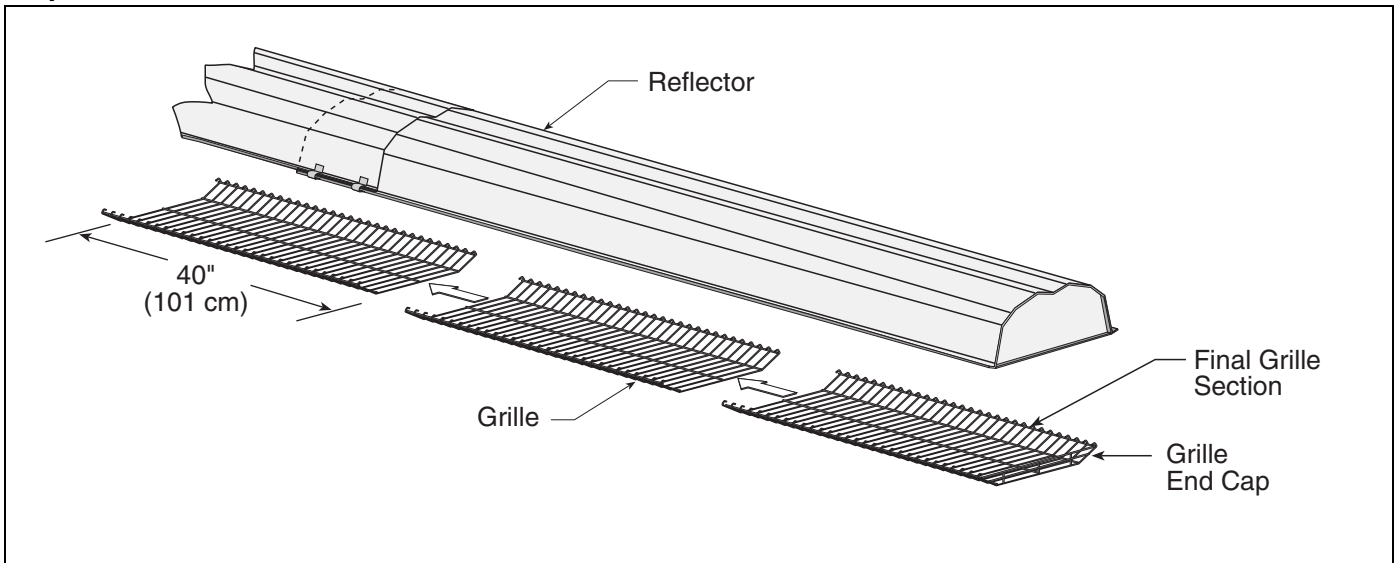
Step 7.6.1 Silicone Cap Installation




Step 7.6.2 Grille End Cap Installation



Step 7.6.3 Grille Installation



SECTION 8: VENTING

| |
|--|
| ! WARNING |
|  |
| Carbon Monoxide Hazard |
| <p>Heaters installed unvented must be interlocked with sufficient building exhaust.</p> <p>Heaters must be installed according to the installation manual.</p> <p>Failure to follow these instructions can result in death or injury.</p> |

| |
|--|
| ! WARNING |
|  |
| Cut/Pinch Hazard |
| <p>Wear protective gear during installation, operation and service.</p> <p>Edges are sharp.</p> <p>Failure to follow these instructions can result in injury.</p> |

8.1 General Venting Requirements

This heater must be vented in accordance with the rules contained in this manual and with the following national codes and any state, provincial or local codes which may apply:

United States: Refer to National Fuel Gas Code NFPA 54/ANSI Z223.1 - latest revision.

Canada: Refer to Natural Gas and Propane Installation Code CSA B149.1 - latest revision.

Exhaust end of heater will accept a 4" (10 cm) vent pipe using the vent adapter (P/N 90502700). To prevent leakage of condensation, install the vent adapter with the seam on top and seal the joint using a high temperature silicone sealant.

Any portion of vent pipe passing through a combustible wall must have an approved thimble to conform with the above listed codes.

Vent pipe must be sloped downward away from the burner 1/2" (1 cm) for every 20' (6 m).

The heater may be individually vented or common vented. When venting horizontally, a maximum of two heaters can be commonly vented. See Page 36, Section 8.9. When venting vertically, a maximum of four heaters can be commonly vented. See Page 37, Section 8.10.

The heater may also be installed unvented in certain circumstances according to building ventilation codes. Refer to the above codes and Page 34, Section 8.2 for further information. Unvented operation also requires compliance with the clearances to combustibles given on Page 8, Figure 12.

The bottom of the vent or air intake terminal shall not be located less than 1' (.3 m) above grade level.

The vent shall not terminate less than 7' (2.1 m) above grade where located adjacent to public walkways.

Vent terminal must be installed at a height sufficient to prevent blockage by snow and building materials protected from degradation by flue gasses.

Secure all joints with #8 x 3/8 sheet metal screws. Seal all joints with high temperature silicone sealant.

Vent terminal must be beyond any combustible overhang.

8.1.1 United States Requirements

Vent must terminate at least 3' (.9 m) above any forced air inlet located within 10' (3.1 m).

Vent must terminate at least 4' (1.2 m) below, 4' (1.2 m) horizontally from, or 1' (.3 m) above any door, operable window, or gravity air inlet into any building.

8.1.2 Canadian Requirements

The vent shall not terminate within 6' (1.8 m) of a mechanical air supply inlet to any building.

The vent shall not terminate within 3' (.9 m) of a window or door that can be opened in any building, any non-mechanical air supply inlet to any building, or of the combustion air inlet of any other appliance.

8.2 Unvented Operation

Sufficient ventilation must be provided in the amount of 4 cfm per 1000 Btu/h firing rate (United States); 3 cfm per 1000 Btu/h firing rate (Canada).

Use of optional outside combustion air is not recommended with unvented heaters.

If exhaust fans are used to supply ventilation air, an interlock switch must be used to prevent the heater from coming on when the fans are off. This may be done using a pressure switch.

8.3 Horizontal Venting

In noncombustible walls only, vent terminal (P/N 02537801-1P) may be used.

For 4" (10 cm) vents in either combustible or noncombustible walls, use Tjernlund VH1-4 (P/N 90502100) or equivalent insulated vent terminal. Follow the manufacturer's instructions for proper installation.

For 6" (15 cm) common vents in either combustible or noncombustible walls, use Tjernlund VH1-6 (P/N 90502101) or equivalent insulated vent terminal. Follow the manufacturer's instructions for proper installation.

8.4 Vertical Venting

For 4" (10 cm), an approved vent cap (P/N 90502300) must be used.

For 6" (15 cm) common vent, an approved vent cap (P/N 90502302) must be used.

For common vertical venting of more than two heaters, See Page 37, Section 8.10.

A vent shall not extend less than 2' (.6m) above the highest point where it passes through a flat roof of a building.

8.5 Unvented Operation Tube Termination

Turndown type vent terminal with a screen must be installed at the exhaust end of the tube. Vent terminal design shall not incorporate backdraft flap.

8.7 Horizontal Ventilation 4" (10 cm) Pipe

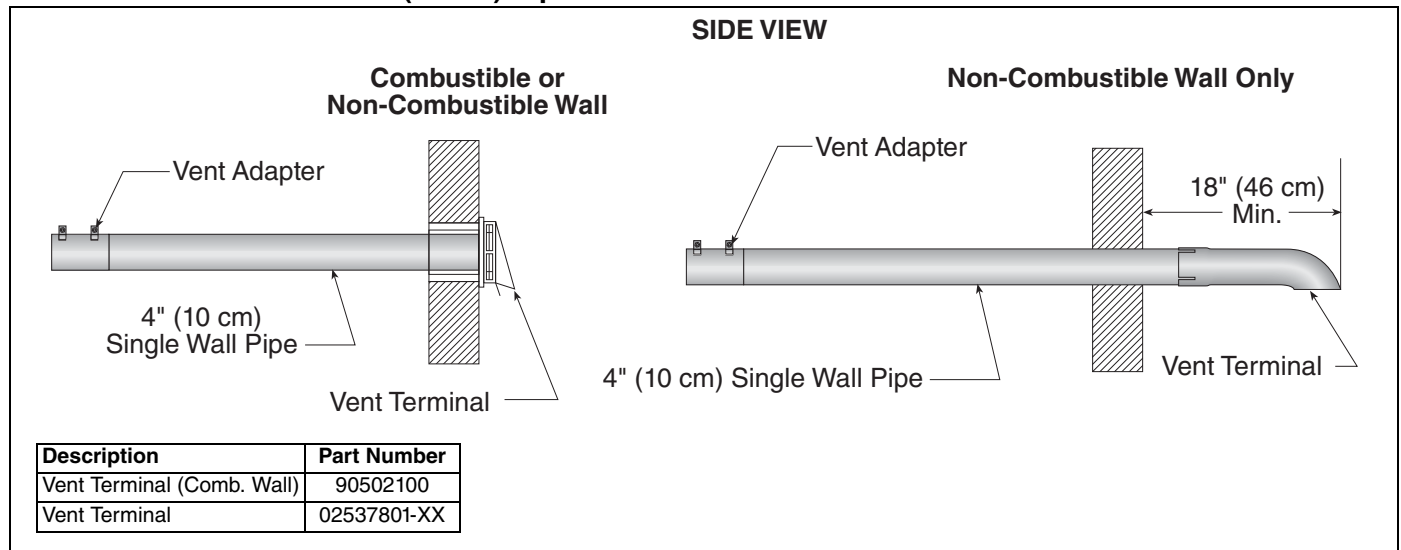
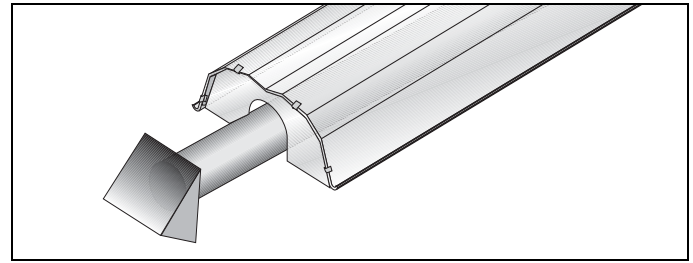


FIGURE 22: Tube Termination



8.6 Length Requirements

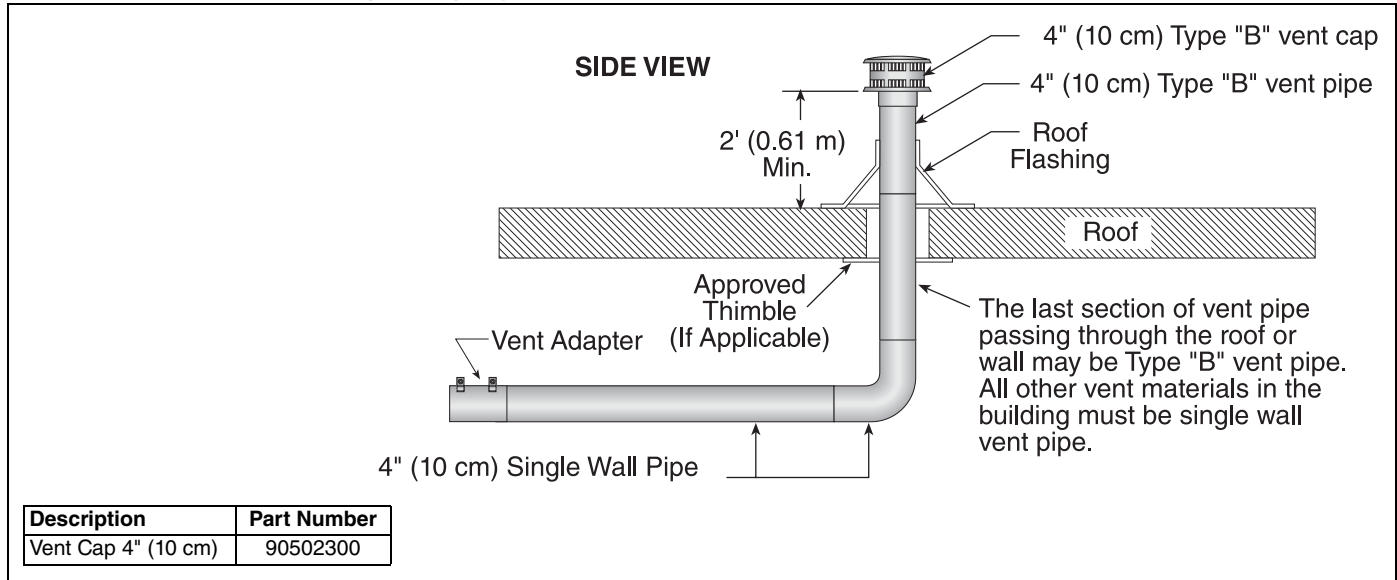
The maximum vent length allowed is 45' (13.7 m). The maximum outside air supply duct length allowed is 45' (13.7 m).

The total vent length, plus outside air duct length, plus any extensions to minimum heat exchanger lengths, cannot exceed 65' (19.8 m).

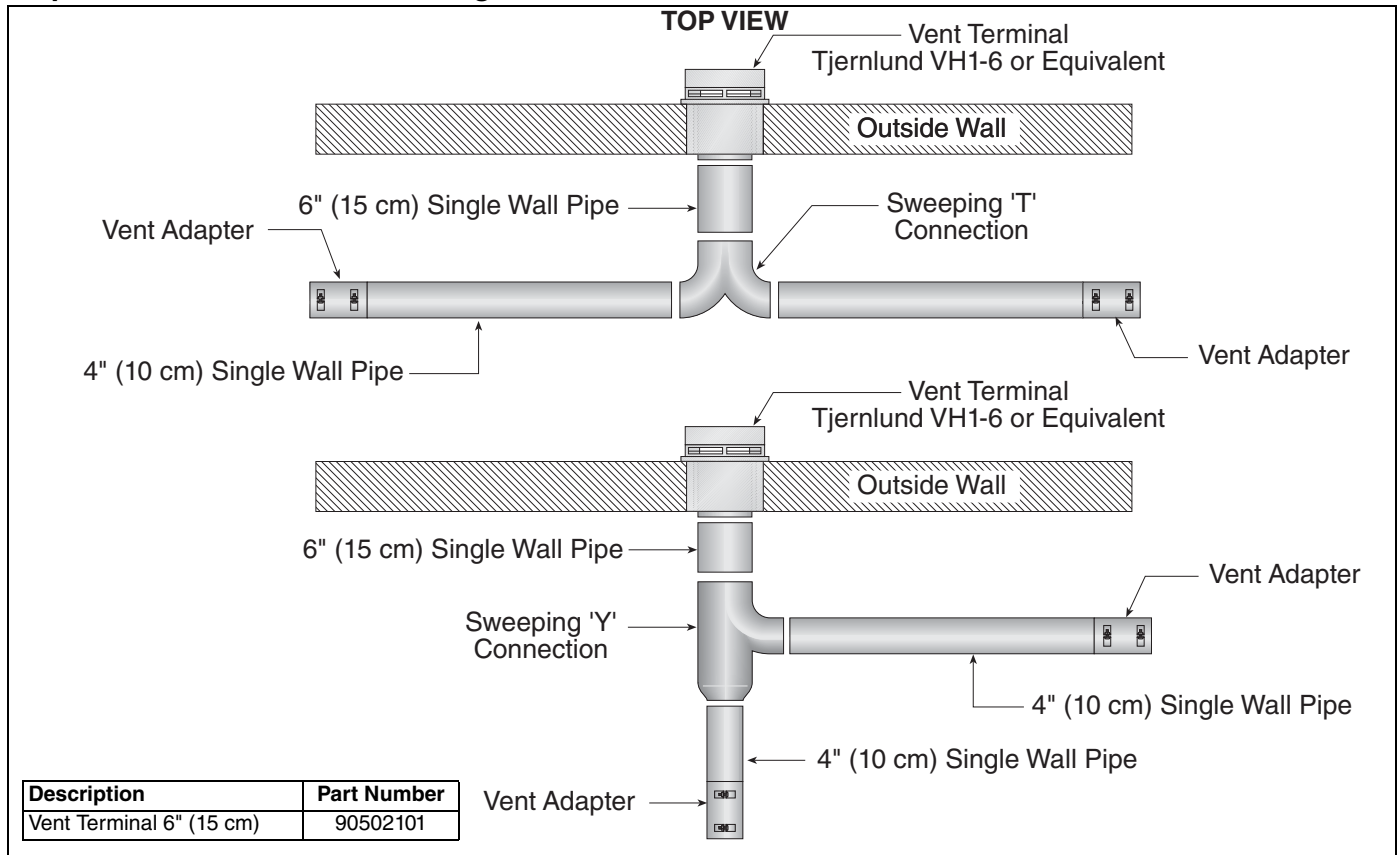
Vent length should be limited to less than 20' (6 m). If using vent lengths greater than 20' (6 m), condensation will form in the vent pipe. Insulation and additional sealing measures (high temperature silicone at all seams) are required. Optional heat exchanger beyond minimum lengths is considered as vent length for length determination.

Subtract 15' (4.6 m) of maximum allowed vent or duct length per vent elbow if more than two are used.

8.8 Vertical Ventilation 4" (10 cm) Pipe



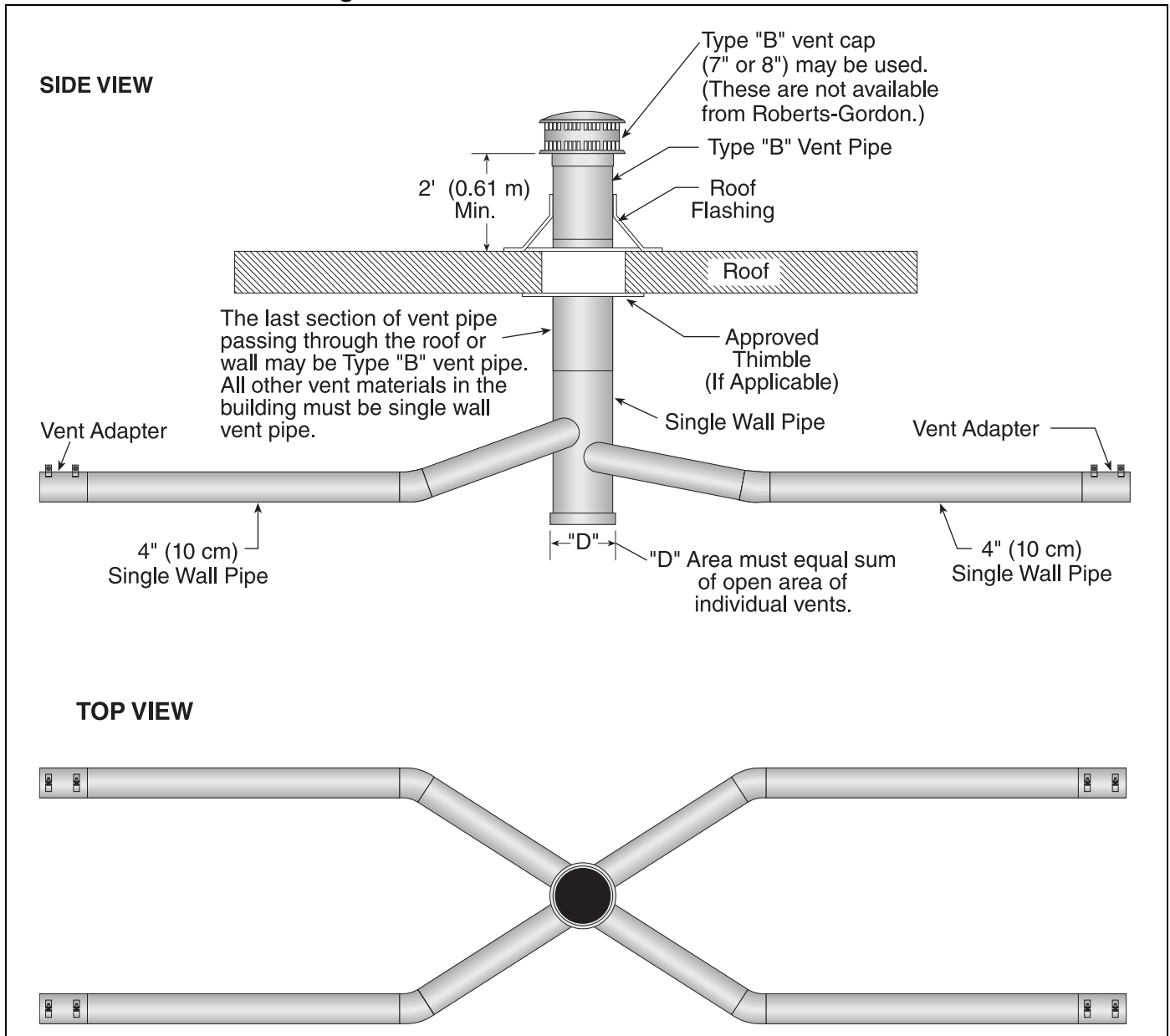
Step 8.9 Common Sidewall Venting



Requirements:

- Maximum of two heaters can be commonly vented through a side wall.
- Heaters must be of the same BTU output.
- Heaters must be controlled by a common thermostat.

8.10 Common Vertical Venting



Requirements:

- Maximum of four heaters can be commonly vented through the roof.
- Heaters must be of the same BTU output.
- Heaters must be controlled by a common thermostat.
- Connections to a common stack must be positioned to avoid direct opposition between streams of combustion gases.

8.11 Outside Combustion Air Supply

IMPORTANT: If the building has a slight negative pressure or corrosive contaminants, such as halogenated hydrocarbons, are present in the air, an outside combustion air supply to the heater is required. Seal all combustion air pipe joints.

Use of optional outside combustion air is not recom-

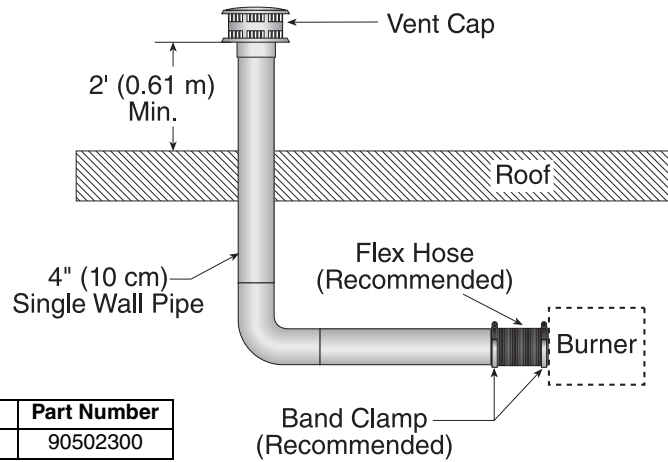
mended with unvented heaters.

The air supply duct may have to be insulated to prevent condensation on the outer surface. The outside air terminal must not be more than 1' (31 cm) above the vent terminal.

8.11.1 Length Requirements

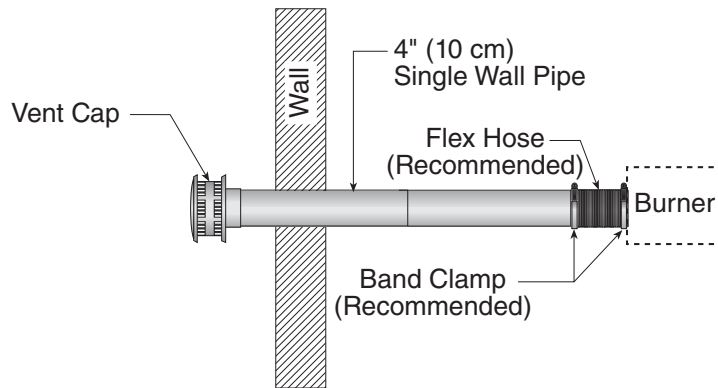
Follow the constraints listed on Page 35, Section 8.6.

8.11.2 Vertical Outside Air Supply for Single Heater Installation



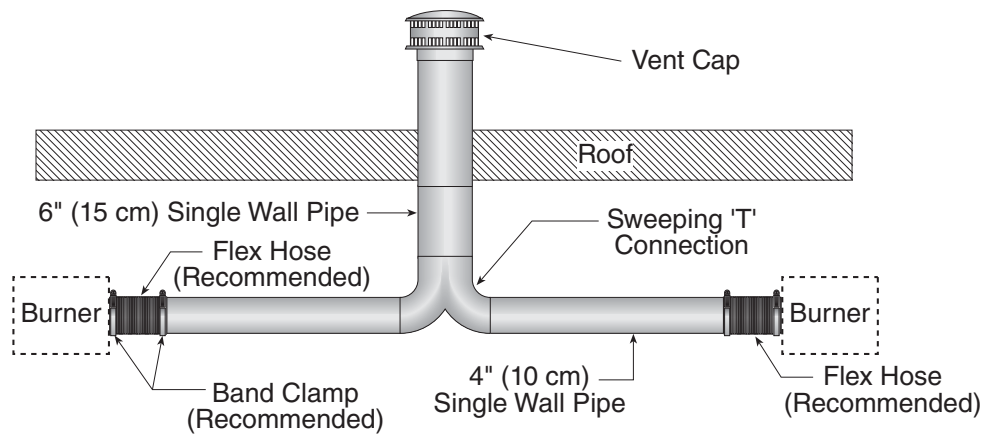
| Description | Part Number |
|---------------------|-------------|
| Vent Cap 4" (10 cm) | 90502300 |

8.11.3 Horizontal Outside Air Supply for Single Heater Installation



| Description | Part Number |
|---------------------|-------------|
| Vent Cap 4" (10 cm) | 90502300 |

8.11.4 Vertical Outside Air Supply for Double Heater Installation

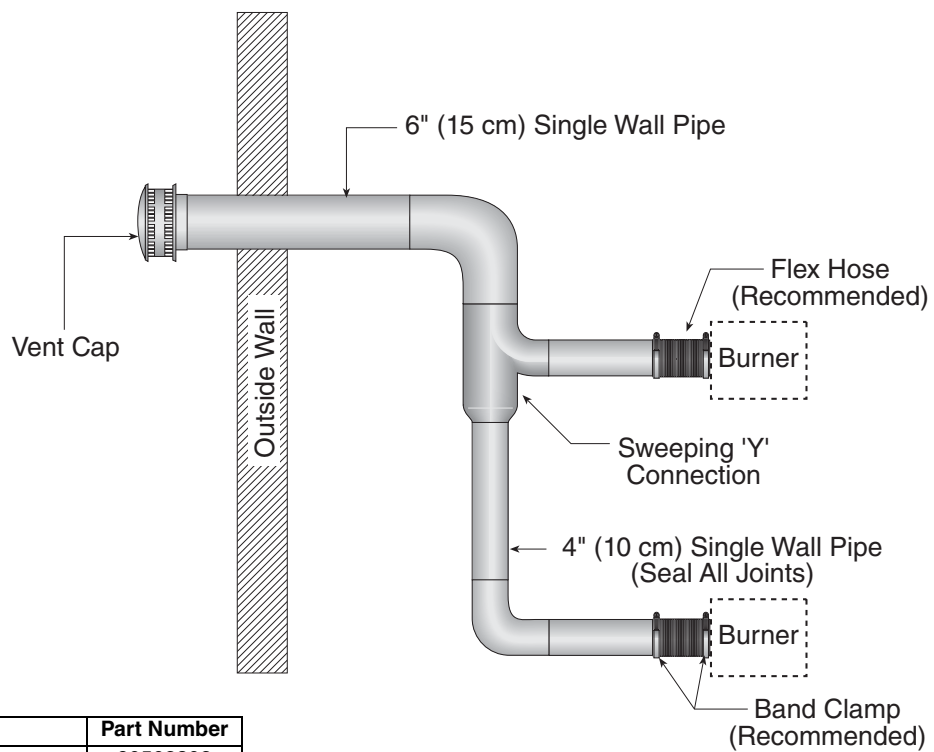


| Description | Part Number |
|---------------------|-------------|
| Vent Cap 6" (15 cm) | 90502302 |

Requirements:

- Heaters must be controlled by a common thermostat.

8.11.5 Horizontal Outside Air Supply for Double Heater Installation




| Description | Part Number |
|---------------------|-------------|
| Vent Cap 6" (15 cm) | 90502302 |

Requirements:

- Heaters must be controlled by a common thermostat.

SECTION 9: GAS PIPING

! WARNING



Fire Hazard

Tighten gas hose fittings to connect gas supply according to Figure 23.

Gas hose can crack when twisted.


Gas hose moves during normal operation.

Use only 36" (91 cm) long connector of 1/2" or 3/4" nominal ID.

Connector supplied with heater for U.S. models (not with Canadian models).

Failure to follow these instructions can result in death, injury or property damage.

! WARNING



Explosion Hazard

Leak test all components of gas piping before operation.

Gas can leak if piping is not installed properly.

Do not high pressure test gas piping with heater connected.

Failure to follow these instructions can result in death, injury or property damage.

There is an expansion of the tube with each firing cycle. This will cause the burner to move with respect to the gas line. This can cause a gas leak resulting in an unsafe condition if the gas connection is not made in strict accordance with *Figure 23*.

Meter and service must be large enough to handle all the burners being installed plus any other connected load. The gas line which feeds the system must be large enough to supply the required gas with a maximum pressure drop of 1/2" wc. When gas piping is not included in the layout drawing, the local gas supplier will usually help in planning the gas piping.

Gas lines must meet applicable codes:

United States: The Flexible Stainless Steel Gas Hose (US models) supplied with the heater is certified per the Standard for Connectors for Gas Appliances, ANSI Z21.24/CSA 6.10 - latest revision.

Canada: The Rubber Type 1 Gas Hose (Canadian models) optional with the heater is certified as being in compliance with the Standard for Elastomeric Composite Hose and Hose Couplings for Conducting Propane and Natural Gas, CAN/CGA 8.1 - Latest revision.

- **Check the pipe and tubing ends for leaks before placing heating equipment into service. When checking for gas leaks, use a soap and water solution; never use an open flame.**

Install the gas hose as shown in *Figure 23*. The gas hose accommodates expansion of the heating system and allows for easy installation and service of the burner. Before connecting the burners to the supply system, verify that all high pressure testing of the gas piping has been completed.

FIGURE 23: Gas Connection with Flexible Gas Hose

CORRECT POSITIONS

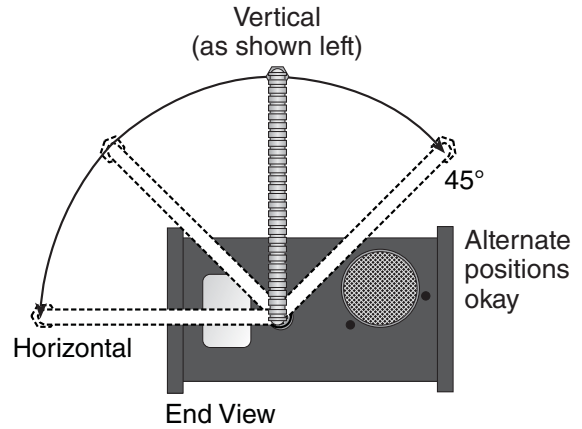
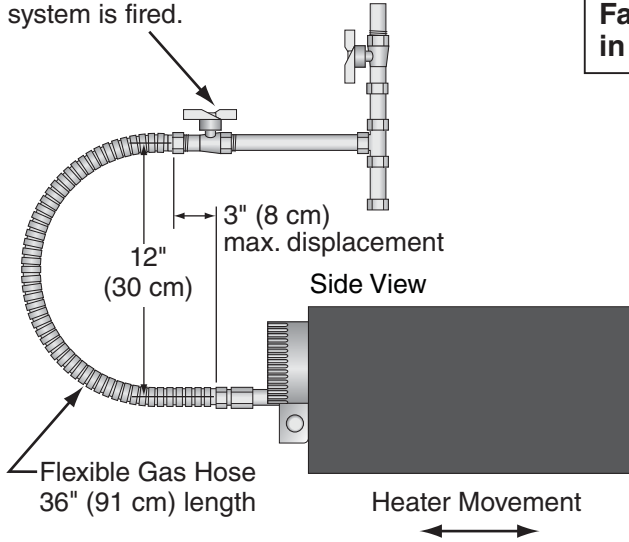
⚠ CAUTION

Product Damage Hazard

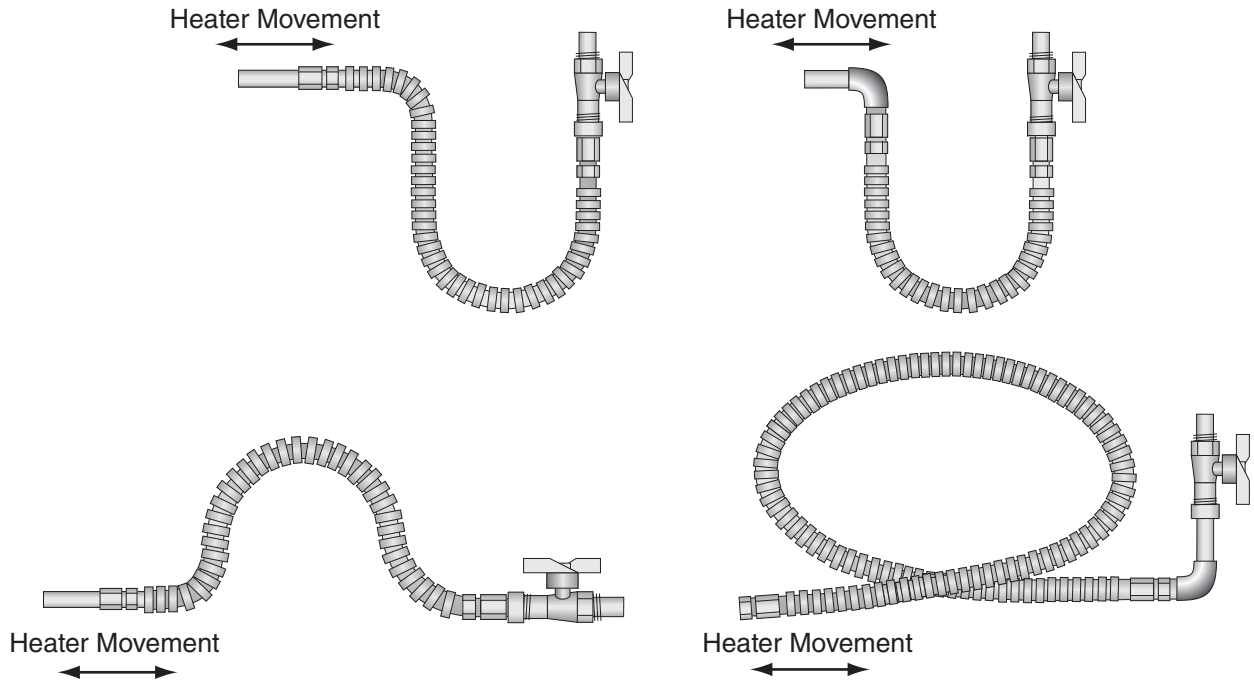
Hold gas nipple securely with pipe wrench when attaching gas hose.

Failure to follow these instructions can result in product damage.

Shut-Off Valve (included with gas hose) must be parallel to burner gas inlet. The 3" (8 cm) displacement shown is for the cold condition. This displacement may reduce when the system is fired.



INCORRECT POSITIONS (WRONG INSTALLATION)



| Description | Part Number |
|--|-------------|
| 1/2" Flexible Stainless Steel Gas Hose (US Models) | 91412200 |
| 3/4" Flexible Stainless Steel Gas Hose (US Models) | 91412204 |
| 1/2" Rubber Type 1 Gas Hose (Canadian Models) | 91412206 |
| 3/4" Rubber Type 1 Gas Hose (Canadian Models) | 91412207 |

SECTION 10: WIRING

⚠ DANGER



Electrical Shock Hazard

Disconnect electric before service.

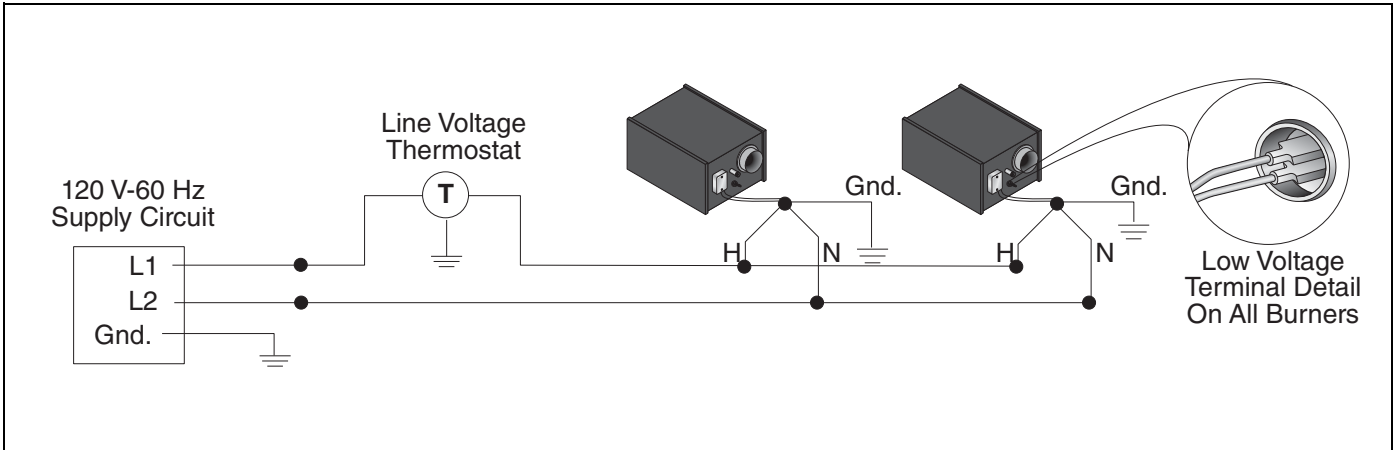
Heater must be properly grounded.

Failure to follow these instructions can result in death or electrical shock.

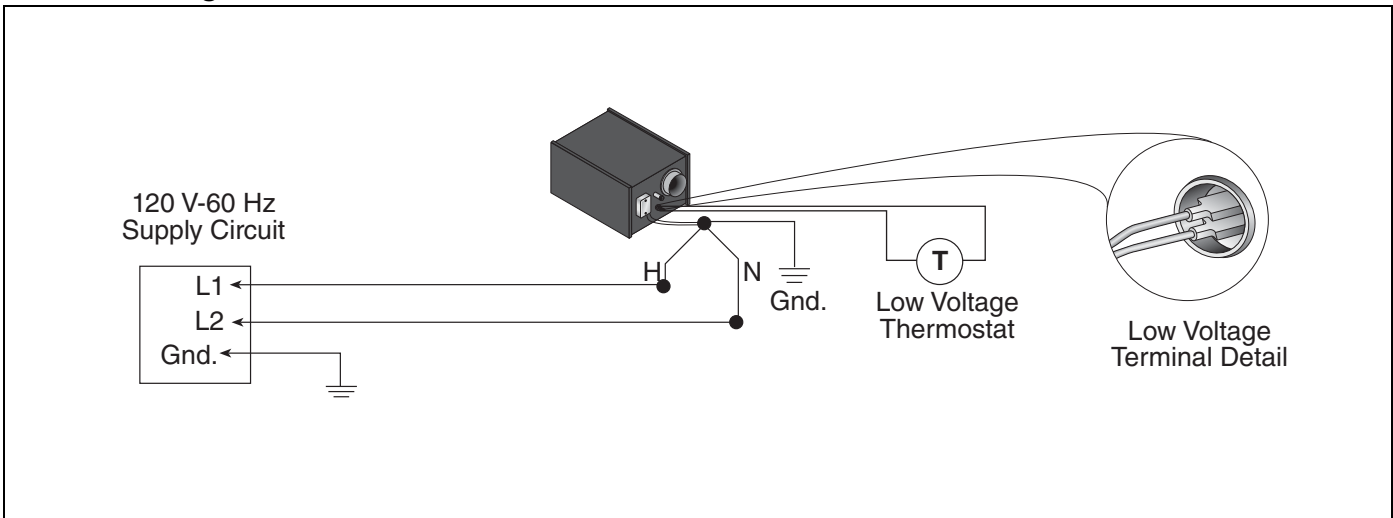
Management System. *Section 10.1* below illustrates the connection for heaters controlled by a line voltage thermostat. NOTE: In order to use line voltage thermostats, the low voltage terminal located at the back of each burner must be connected as shown in the detail. For a single heater on a low voltage thermostat, See *Section 10.2* below. To control multiple heaters on one low voltage thermostat, See *Page 43, Section 10.3*. NOTE: In order to control multiple heaters on one low voltage thermostat, the low voltage terminals on each heater must be connected as shown in detail. Heater must be grounded in accordance with applicable codes: **United States:** refer to National Electrical Code® NFPA 70 - latest revision **Canada:** refer to Canadian Electrical Code, CSA C22.1 Part I - latest revision. If any of the original internal wiring must be replaced, it must be replaced with wiring materials having a temperature rating of at least 105° C and 600 V.

Heaters can be controlled using several methods. Normally thermostats are used to control the heaters but they can also be controlled by an Energy

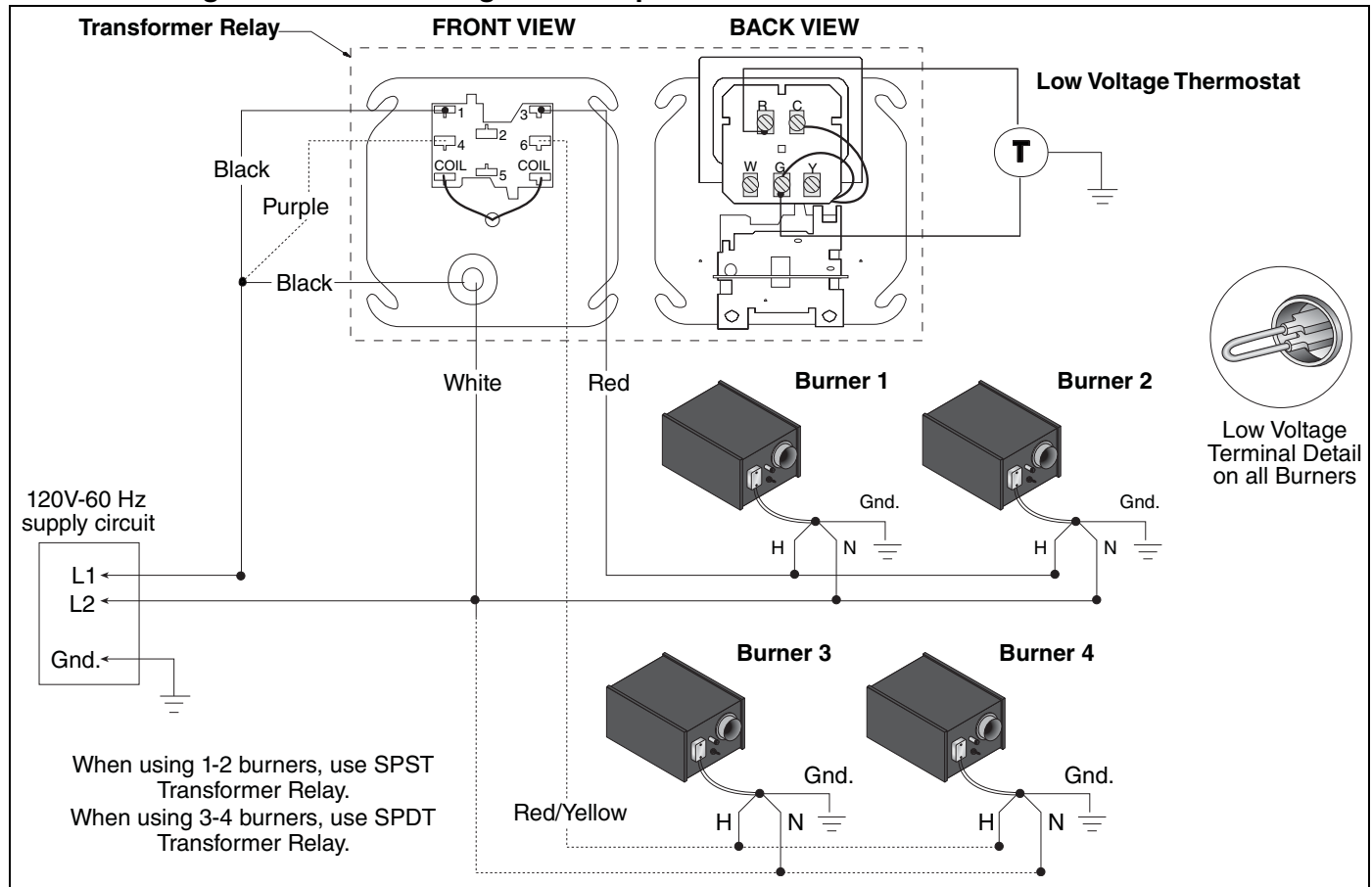
10.1 Line Voltage Thermostat Wiring



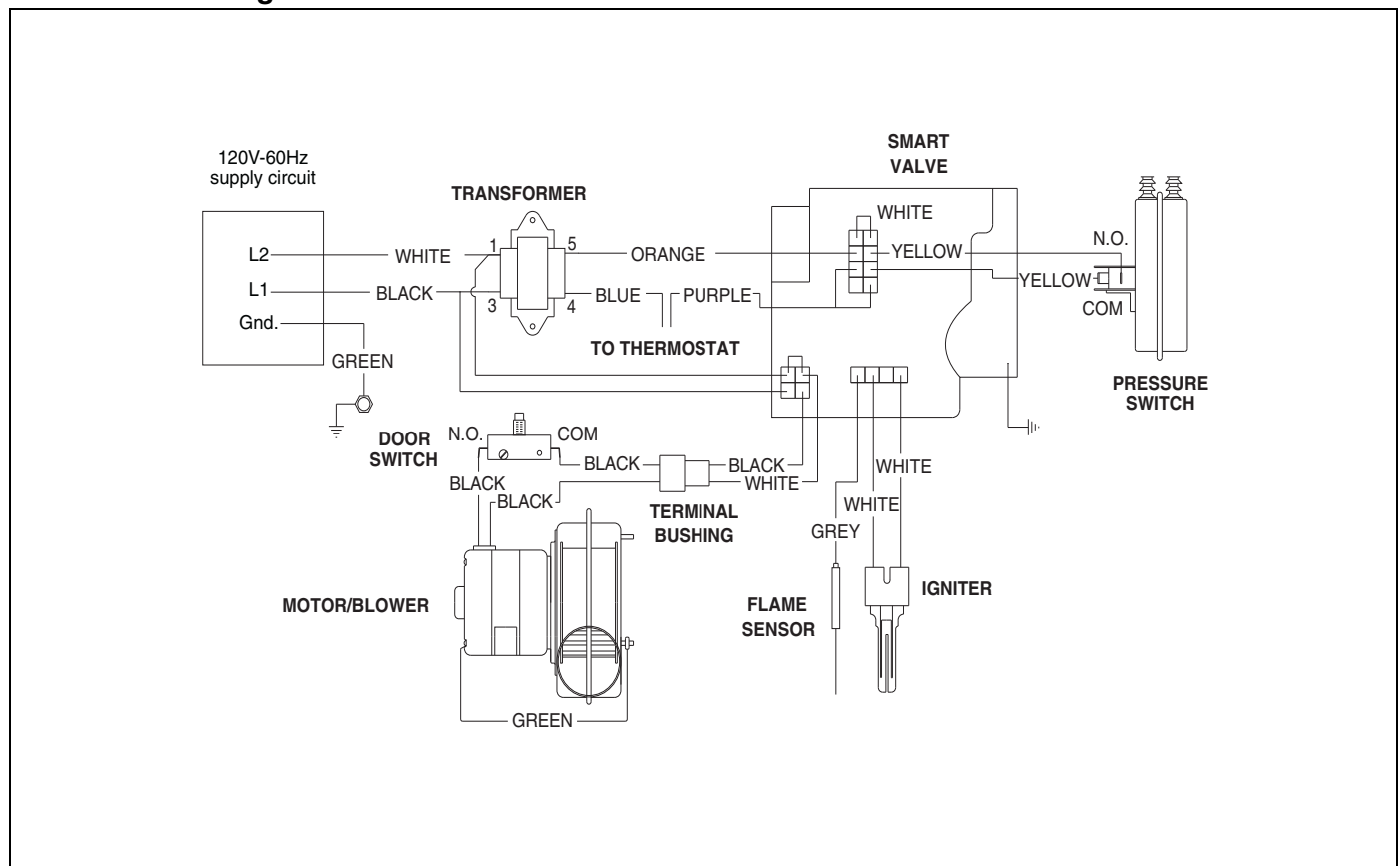
10.2 Low Voltage Thermostat with One Burner



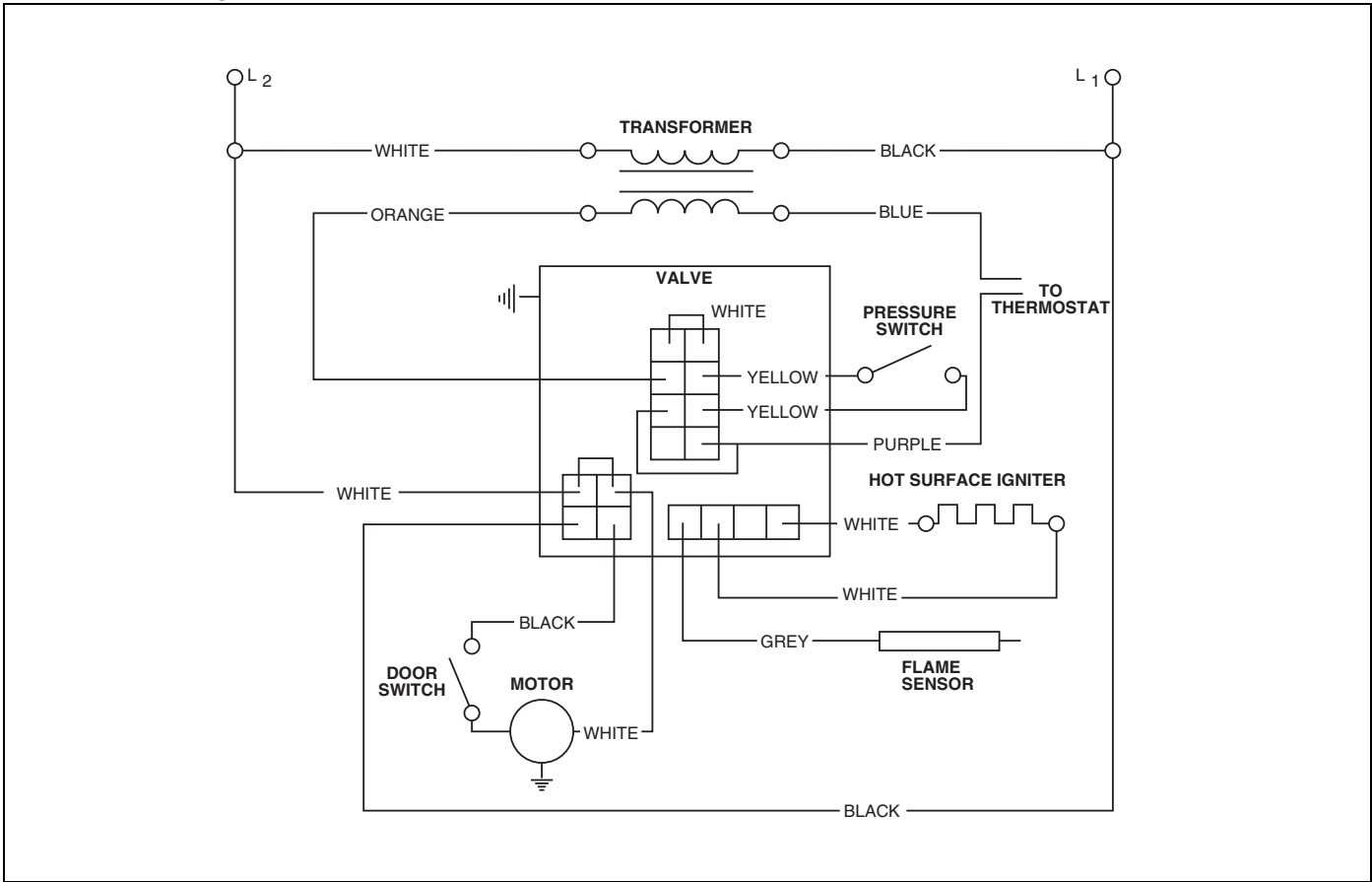
10.3 Low Voltage Thermostat Wiring with Multiple Burners



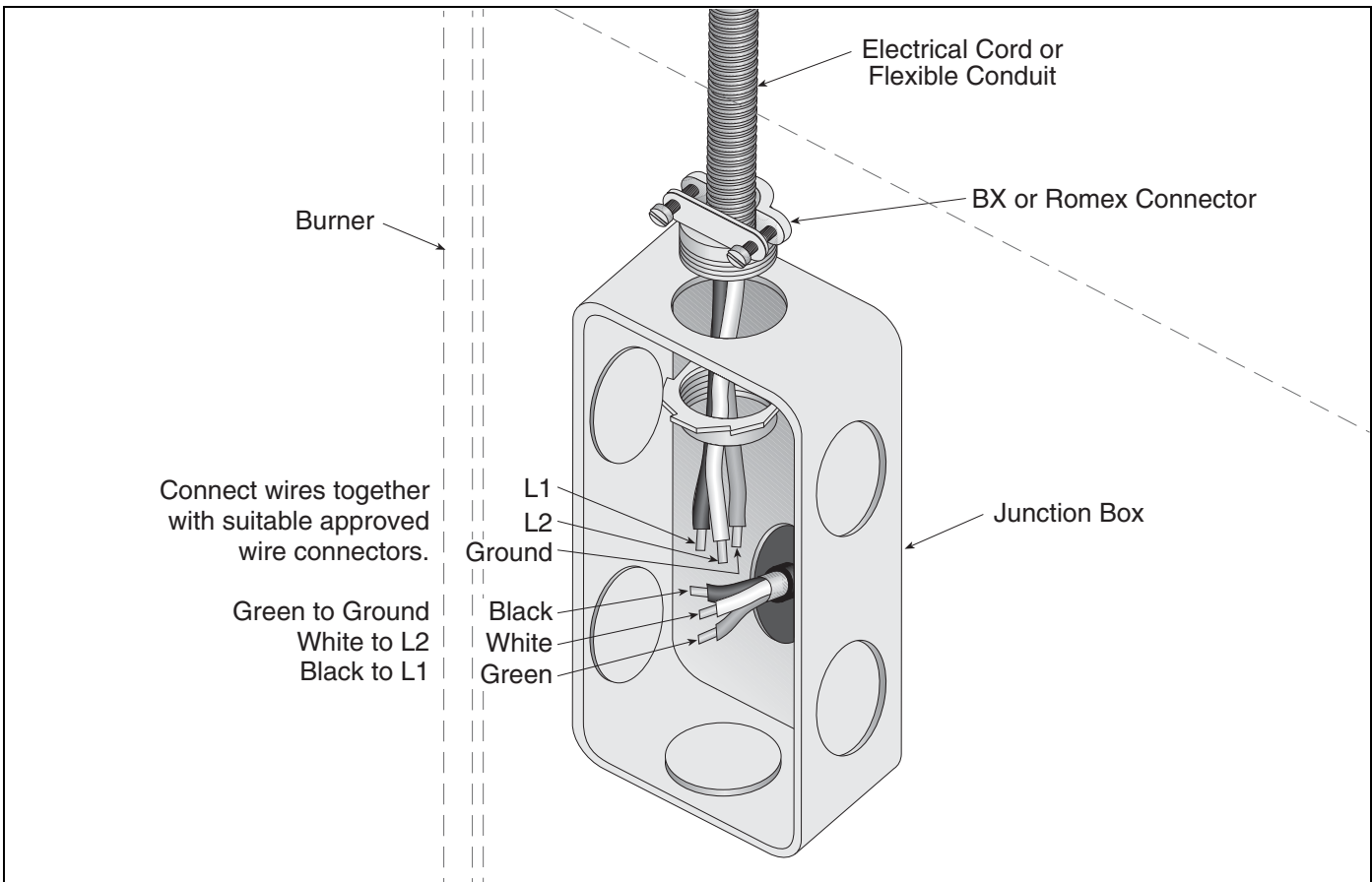
10.4 Internal Wiring







10.5 Ladder Diagram



10.6 Electrical Connection to the Burner



SECTION 11: OPERATION AND MAINTENANCE

| ⚠ DANGER | ⚠ WARNING | | |
|---|---|--|---|
|  |  |  |  |
| Electrical Shock Hazard Disconnect electric before service. Heater must be connected to a properly grounded electrical source. | Explosion Hazard Turn off gas supply to heater before service. | Burn Hazard Allow heater to cool before service. Tubing may still be hot after operation. | Cut/Pinch Hazard Wear protective gear during installation, operation and service. Edges are sharp. |
| Failure to follow these instructions can result in death, electric shock, injury or property damage. | | | |

This heater is equipped with a hot-surface ignition system.

11.1 Sequence of Operation

1. Turn the thermostat up. When the thermostat calls for heat, the SmartValve® II will energize. After a short period, power is supplied to the blower motor.
2. When the motor approaches nominal running RPM, the pressure switch closes and signals the ignition module/SmartValve® II.
3. The ignition module/SmartValve® II then energizes the hot-surface igniter for a timed warm-up period (approximately 45 to 60 seconds). After the warm-up period, the gas valve is energized.
4. If a flame is detected, the gas valve remains open and the igniter is de-energized. When the call for heat is satisfied and the system control mechanism de-energizes the burner line voltage supply, the gas is turned off.
5. If no flame is detected by the flame sensing rod, the igniter is de-energized and the module/SmartValve® II will close and a purge period begins. After the purge, the module/SmartValve® II acts to power the igniter for a second warm-up period and a second trial for ignition period. If flame is still not established, a third purge, warm-up, and trial cycle begins. After four trials, the module/SmartValve® II will lockout for one hour or until reset.
6. If the flame extinguishes during operation, the igniter module will provide multiple trial sequences described in step 5. If ignition is not re-established, the module/SmartValve® II will lockout for one hour or until reset.
7. After lockout, reset by turning down thermostat for five seconds, and then raising it again to desired temperature, or by disconnecting power and then reconnecting.

11.2 To Shut Off Heater

Set thermostat to lowest setting.

Turn OFF electric power to heater.

Turn OFF manual gas valve in the heater supply line.

11.3 To Start Heater

Turn gas valve and electric power OFF and wait five minutes for unburned gases to vent from heater.

Turn ON main gas valve.

Turn ON electric power.

Set thermostat to desired temperature. Burner should light automatically.

11.4 Pre-Season Maintenance and Annual Inspection

To ensure your safety and years of trouble-free operation of the heating system, service and annual inspections must be done by a contractor qualified in the installation and service of gas-fired heating equipment.

Turn off gas and electric supplies before performing

service or maintenance. Allow heater to cool before servicing.

Before every heating season, a contractor qualified in the installation and service of gas-fired heating equipment must perform a thorough safety inspection of the heater.

For best performance, the gas, electrical, thermostat connections, tubing, venting, suspensions and overall heater condition should be thoroughly inspected.

NOTE: Gas flow and burner ignition are among the first things that should be inspected.

Please see *Page 46, Section 11.5* for suggested items to inspect.

Installation Code and Annual Inspections:

All installation and service of ROBERTS GORDON® equipment must be performed by a contractor qualified in the installation and service of equipment sold and supplied by Roberts-Gordon LLC and conform to all requirements set forth in the ROBERTS GORDON® manuals and all applicable governmental authorities pertaining to the installation, service, operation and labeling of the equipment.

To help facilitate optimum performance and safety, Roberts-Gordon LLC recommends that a qualified contractor conduct, at a minimum, annual inspections of your ROBERTS GORDON® equipment and perform service where necessary, using only replacement parts sold and supplied by Roberts-Gordon LLC





11.5 Maintenance Checklist

| | |
|-----------------------------------|--|
| The Vicinity of the Heater | <p>Do not store or use flammable objects, liquids or vapors near the heater. Immediately remove these items if they are present.</p> <p><i>See Page 5, Section 3.</i></p> |
| Vehicles and Other Objects | <p>Maintain the clearances to combustibles.</p> <p>Do not hang anything from, or place anything on, the heater.</p> <p>Make sure nothing is lodged underneath the reflector, in between the tubes or in the decorative or protective grilles (included with select models).</p> <p>Immediately remove objects in violation of the clearances to combustibles.</p> <p><i>See Page 5, Section 3.</i></p> |
| Reflector | <p>Support reflector with reflector hanger and support strap.</p> <p>Reflector must not touch tube.</p> <p>Make sure there is no dirt, sagging, cracking or distortion.</p> <p>Do not operate if there is sagging, cracking or distortion.</p> <p>Make sure reflectors are correctly overlapped. <i>See Page 22, Section 6.5.1.</i></p> <p>Clean outside surface with a damp cloth.</p> |
| Vent Pipe | <p>Venting must be intact. Using a flashlight, look for obstructions, cracks on the pipe, gaps in the sealed areas or corrosion.</p> <p>The area must be free of dirt and dust. Clean as required.</p> <p>Remove any carbon deposits or scale using a wire brush.</p> <p><i>See Page 34, Section 8.</i></p> |
| Outside Air Inlet | <p>Inlet must be intact. Look for obstructions, cracks on the pipe, gaps in the sealed areas or corrosion.</p> <p>The area must be free of dirt and dust. Clean and reinstall as required.</p> |
| Tubes | <p>Make sure there are no cracks.</p> <p>Make sure tubes are connected and suspended securely.</p> <p><i>See Page 13, Section 6.</i></p> <p>Make sure there is no sagging, bending or distortion.</p> <p>Clean or replace as required.</p> |

| | |
|--|--|
| Gas Line | Check for gas leaks. <i>See Page 40, Section 9.</i> |
| Burner Observation Window | Make sure it is clean and free of cracks or holes. Clean and replace as required. |
| Blower Scroll, Wheel and Motor | Compressed air or a vacuum cleaner may be used to clean dust and dirt. |
| Burner Cup and Orifice | Clear of obstructions (even spider webs will cause problems). Carefully remove any dust and debris from the burner. |
| Hot-Surface Igniter | Replace if cracked or broken. |
| Thermostat | There should be no exposed wire or damage to the thermostat. <i>See Page 42, Section 10.</i> |
| Suspension Points | Make sure the heater is hanging securely. Look for signs of wear on the chain or ceiling. <i>See Page 14, Figure 14.</i> |
| Decorative and Protective Grille (optional) | The grille must be securely attached. Check that the side reflector extensions are installed correctly and secured in place if necessary. (Decorative grille only.) <i>See Page 31, Section 7.5 and Page 33, Section 7.6.</i> Make sure shield is installed correctly and secured in place if necessary. (Decorative grille only.) <i>See Page 32, Section 7.5.2.</i> |
| Lower Clearance Shield (optional) | The lower shield must be securely attached. Inspect shield support straps and lower clearance shield anchor points. <i>See Page 31, Section 7.4.</i> Make sure shield is installed correctly and secured in place if necessary. <i>See Page 31, Section 7.4.</i> |
| Wall Tag | If wall tag is present, make sure it is legible and accurate. Please contact Roberts-Gordon LLC or your ROBERTS GORDON® independent distributor, if you need a wall tag. <i>See Page 4, Section 2.1.</i> |
| Safety Labels | Product safety signs or labels should be replaced by the product user when they are no longer legible. Please contact Roberts-Gordon LLC or your ROBERTS GORDON® independent distributor to obtain replacement signs or labels. <i>See Page 2, Figure 1 through Page 3, Figure 2.</i> |

SECTION 12: TROUBLESHOOTING

| |
|---|
| ⚠ DANGER |
|  |
| Electrical Shock Hazard |
| <p>Disconnect electric before service.</p> <p>Heater must be properly grounded.</p> <p>Failure to follow these instructions can result in death or electrical shock.</p> |

| | | | |
|---|--|---|---|
| ⚠ WARNING | | | |
|  |  |  |  |
| Fire Hazard | Explosion Hazard | Burn Hazard | Cut/Pinch Hazard |
| <p>Keep all flammable objects, liquids and vapors the minimum required clearances to combustibles away from heater.</p> <p>Some objects will catch fire or explode when placed close to heater.</p> | <p>Turn off gas supply to heater before service.</p> | <p>Allow heater to cool before service.</p> <p>Tubing may still be hot after operation.</p> | <p>Wear protective gear during installation, operation and service.</p> <p>Edges are sharp.</p> |
| Failure to follow these instructions can result in death, injury or property damage. | | | |

12.1 Honeywell SmartValve® II Troubleshooting

This heater is supplied with the Honeywell SmartValve® II control system. This system is equipped with a diagnostic function that will assist in performing troubleshooting. The LED (Light Emitting Diode) indicator at the top of the SmartValve® II control will flash in various patterns to indicate status. The LED status indication chart provided below gives a summary of possible faults.

| LED Status | Indicates |
|------------|---|
| Off | No power to the control |
| Bright-Dim | Normal Operation. This indication shows whenever the system is powered, unless some abnormal event has occurred. |
| 2 Flashes | Pressure switch remains closed longer than 30 seconds after a call for heat begins (pressure switch stuck closed). The SmartValve® II checks the status of the pressure switch contacts and must see a change in the contact with every firing cycle. Placing a jumper at the switch out of sequence will result in a fault, with the LED indicator flashing 2 times. |
| 3 Flashes | Pressure switch remains open longer than 30 seconds after combustion air blower is energized. Check for correct blower operation, blower intake obstructions, pressure switch tubing and wiring. |
| 4 Flashes | Limit string open, 2" white jumper wire on valve is loose. |
| 5 Flashes | Flame signal sensed out of proper sequence. |
| 6 Flashes | System Lockout. Flame sensing circuit is not functioning properly. Perform the checks following the "Does the burner stay lit?" bubble in the troubleshooting flow chart on Page 50, Section 12.2. |

WARNING



Electrical Shock Hazard

Do not disconnect ground leads inside heater.

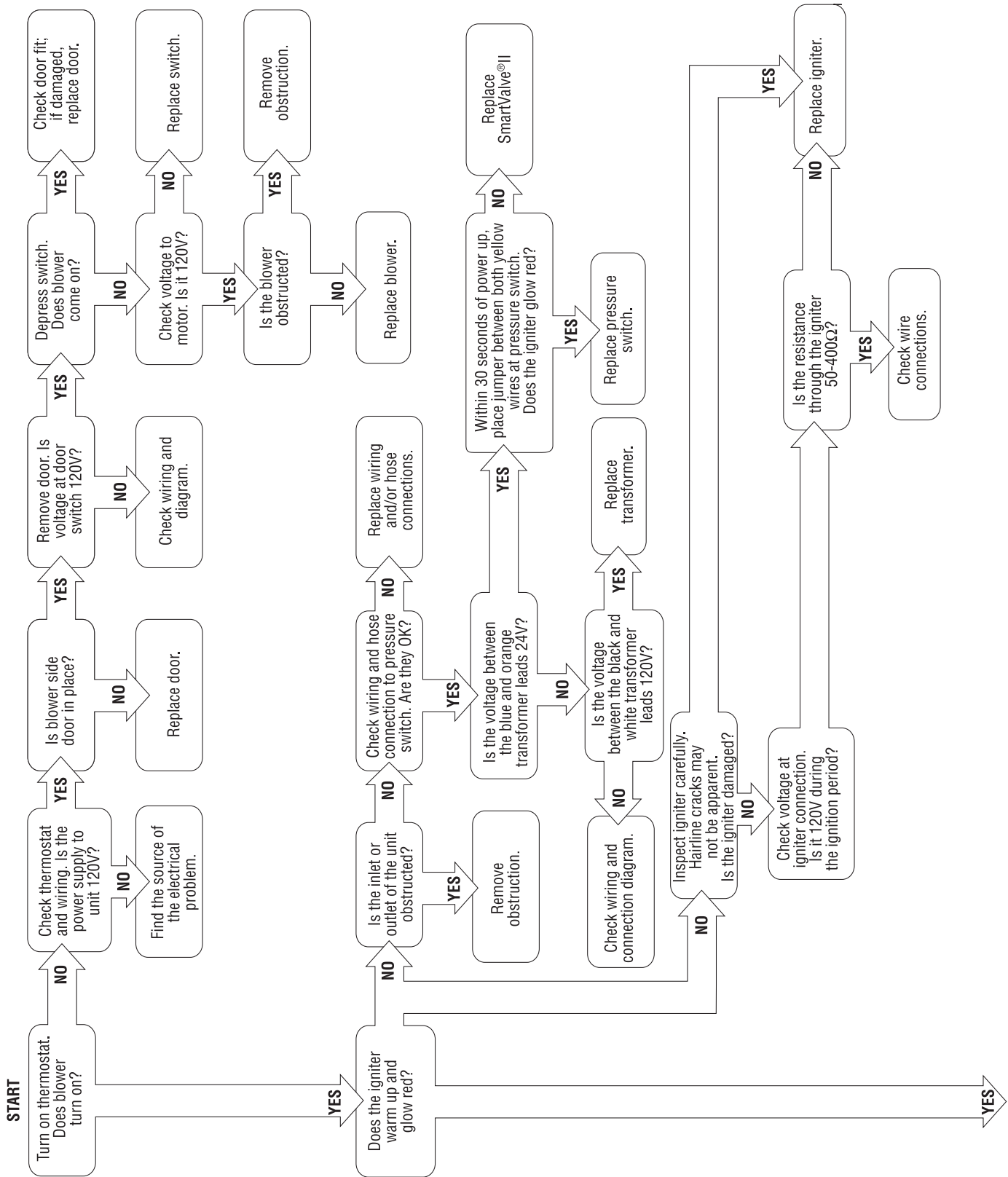
Do not interchange grounded and ungrounded leads on transformer or ignition module.

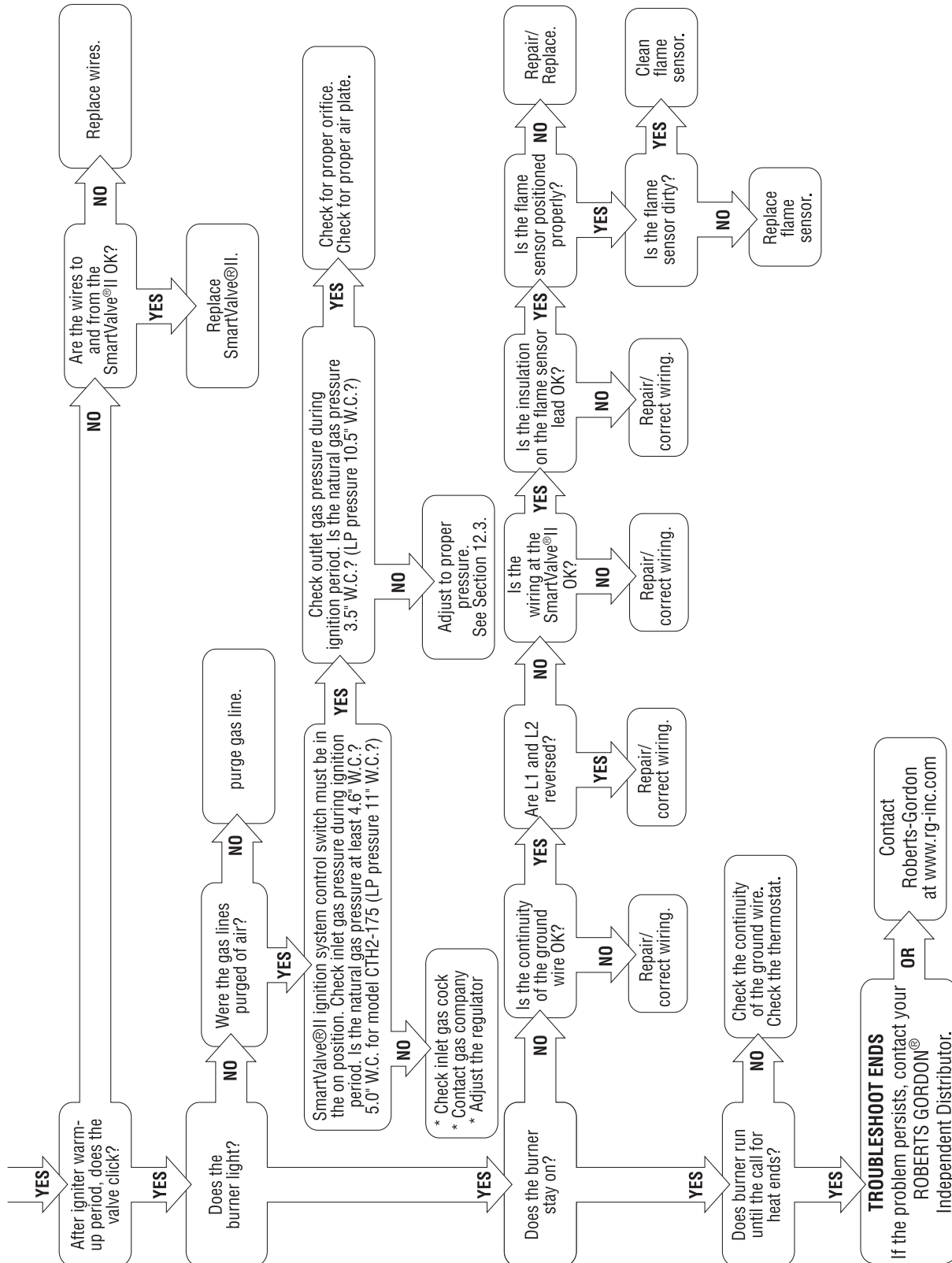
Failure to follow these instructions can result in death or electrical shock.

Page 52, Section 12.3 will provide the information needed to test the manifold gas pressure setting.

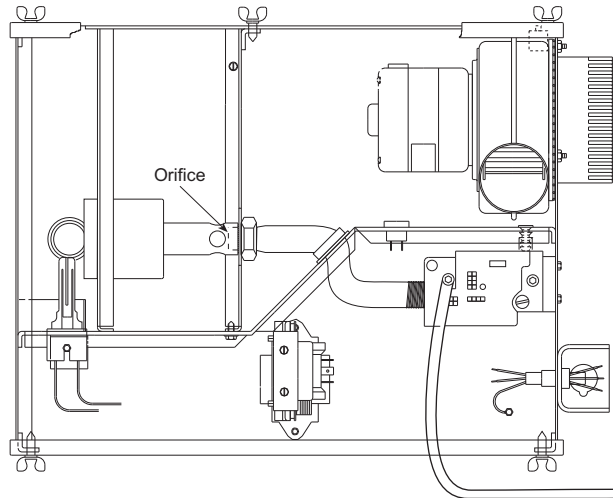
Page 50, Section 12.2 will guide you through several troubleshooting steps to determine possible problems with the systems.

12.2 Troubleshooting Flow Chart



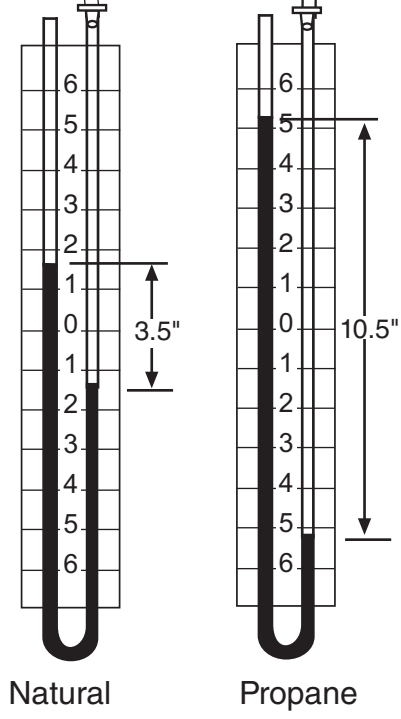


12.3 Manifold Gas Pressure Setting



Top View of Heater

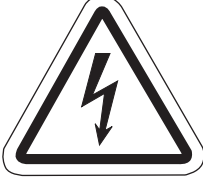



Manometer

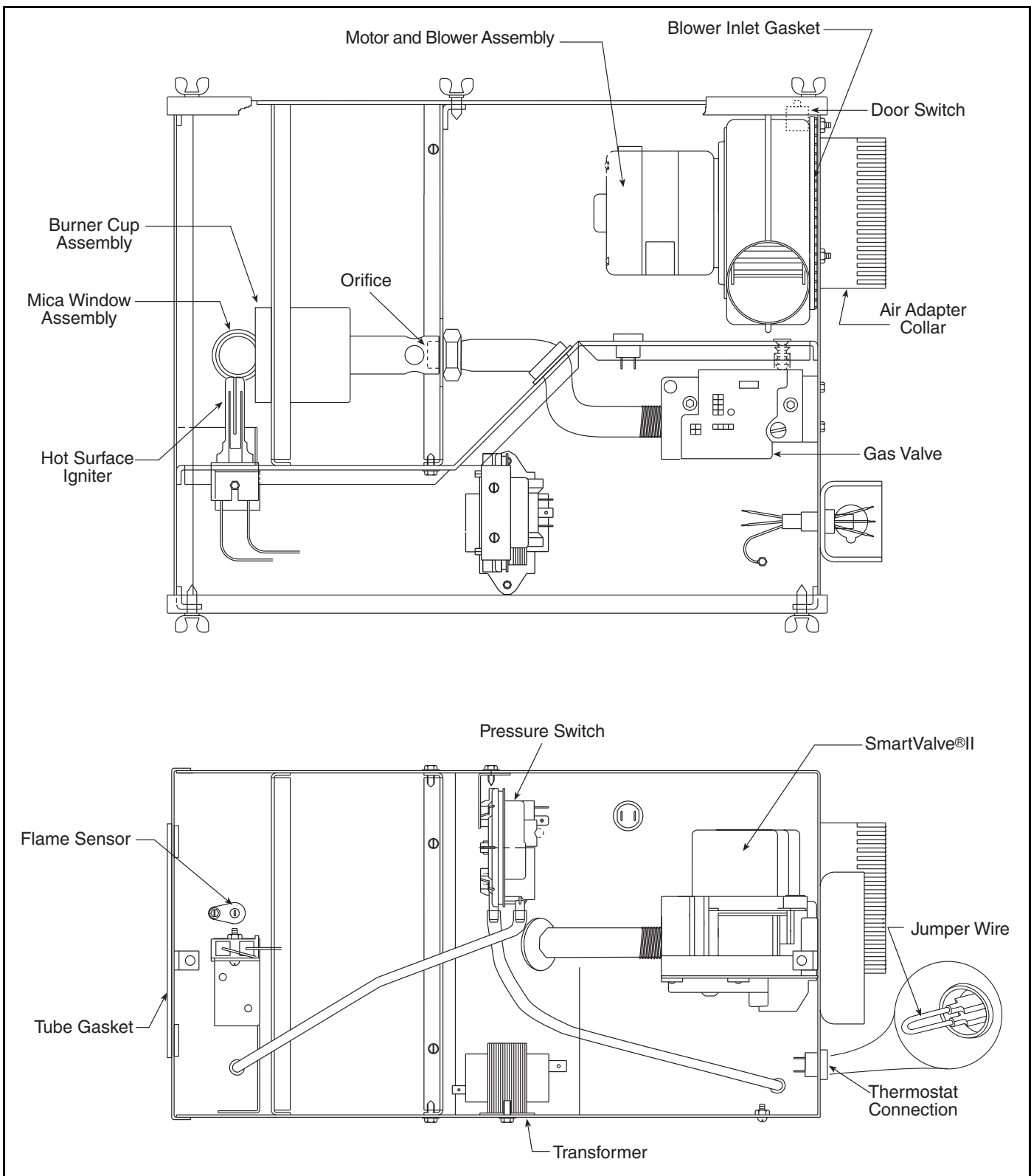


Natural

Propane

SECTION 13: REPLACEMENT PARTS

| ⚠ DANGER | | ⚠ WARNING | |
|--|---|--|---|
|  |  |  |  |
| Electrical Shock Hazard | Explosion Hazard | Fire Hazard | Carbon Monoxide Hazard |
| Use only genuine ROBERTS GORDON® replacement parts per this installation, operation and service manual. | | | |
| Failure to follow these instructions can result in death, electric shock, injury or property damage. | | | |



| Description | Part Number |
|---------------------------|--------------------|
| Gas Valve (Natural) | 90068300 |
| Gas Valve (LP) | 90068302 |
| Tube Gasket | 02568200 |
| Blower Inlet Gasket | 03050900 |
| Motor and Blower Assembly | 90708600-P |
| Air Adapter Collar | 91911700 |
| Door Switch | 90436800 |
| Burner Cup Assembly | 03020100 |
| Hot Surface Igniter | 90436603K |
| Mica Window Assembly | 02553203 |
| Flame Sensor | 90439300 |
| Transformer | 90436900K |
| Thermostat Connection | 91317900 |
| Jumper Wire | 03090900 |
| Pressure Switch: | |
| (175) | 90439802K |
| (100) | 90439803K |
| (80,150) | 90439810K |
| (40, 60, 125) | 90439805K |

SECTION 14: GENERAL SPECIFICATIONS

14.1 Material Specifications

14.1.1 Reflectors

.024 Aluminum
(optional .024 Stainless Steel Type 304)

14.2 Heater Specifications

14.2.1 Ignition

Honeywell® SmartValve® II combines gas valve and hot surface electronic ignition control. Fully automatic, four-try, 100% shut-off, prepurge, auto reset, LED indicator status.

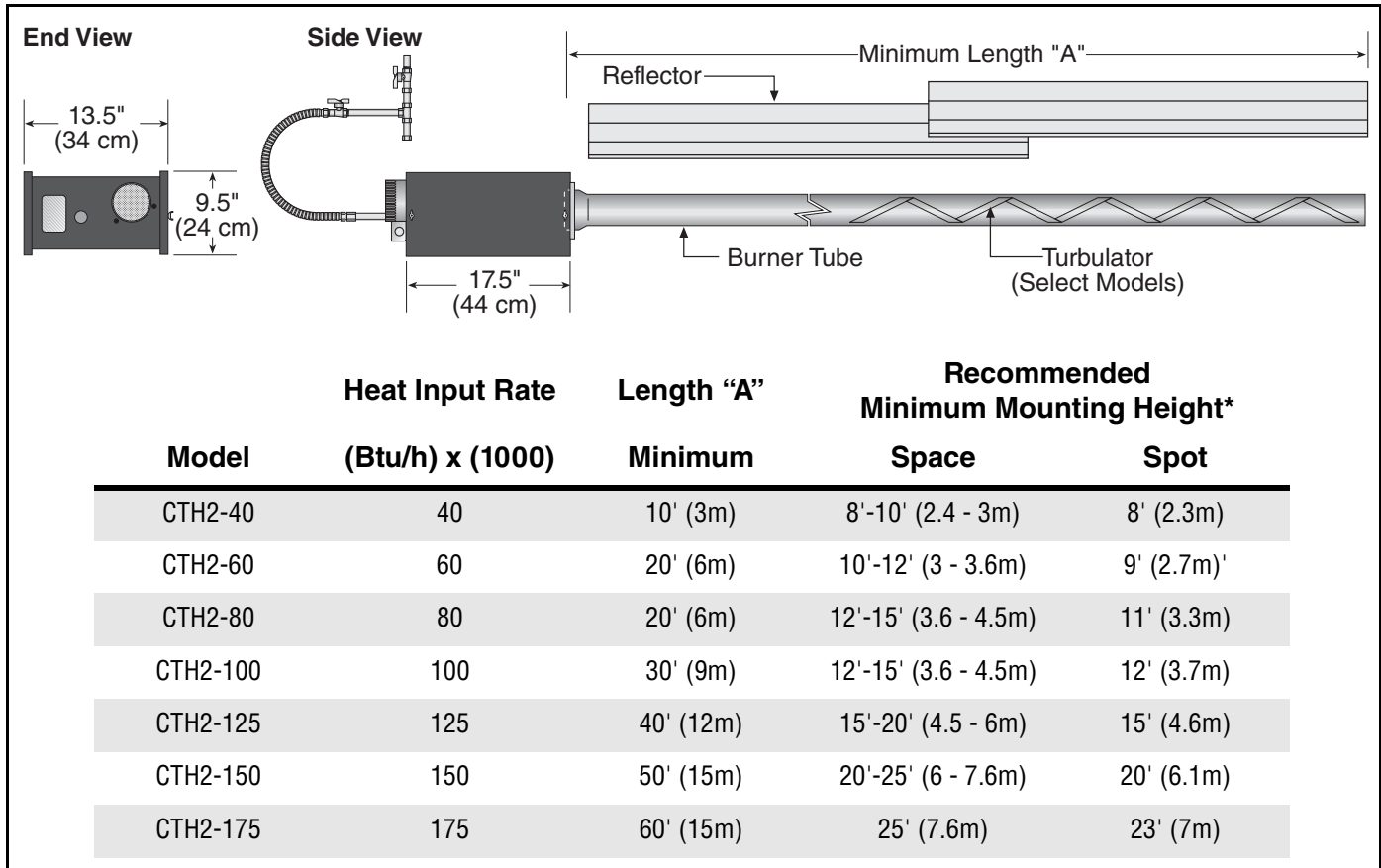
14.3 Suspension Specifications

Hang heater with materials with a minimum working load of 75 lbs (33 kg). See Page 14, Figure 14.

14.4 Controls Specifications

Time switches, thermostats, etc. can be wired into the electrical supply. External controls supplied as an optional extra.

General Specifications for the heaters are as follows:



*See Page 5, Section 3 for clearances to combustibles.

GAS PRESSURE AT MANIFOLD:

Natural Gas: 3.5" wc
LP Gas: 10.5" wc

PIPE CONNECTION:

1/2" NPT (for 40, 60, 80, 100, 125)
3/4" NPT (for 150 & 175)

DIMENSIONS:

Vent Connection Size: 4" (10 cm)
Outside Air Connection Size: 4" (10 cm)
Refer to figure above for dimensional information.

GAS INLET PRESSURE:

Natural Gas:
for 40,60,80,100,125,150 4.6" wc Minimum
for 175 5.0" wc Minimum
14.0" wc Maximum
LP Gas:
11.0" wc Minimum
14.0" wc Maximum

ELECTRICAL RATING (ALL MODELS):

120 V - 60 Hz., 1.0 A (run) 5.0 A (Start)

SECTION 15: THE ROBERTS GORDON® VANTAGE® II WARRANTY**ROBERTS-GORDON WILL PAY FOR:**

Within 36 months from date of purchase by buyer or 42 months from date of shipment by Roberts-Gordon LLC (whichever occurs first), replacement parts will be provided free of charge for any part of the product which fails due to a manufacturing or material defect.

Roberts-Gordon LLC will require the part in question to be returned to the factory. Roberts-Gordon LLC will, at its sole discretion, repair or replace after determining the nature of the defect and disposition of part in question.

ROBERTS GORDON® Replacement Parts are warranted for a period of 12 months from date of shipment from Roberts-Gordon LLC or the remaining ROBERTS GORDON® VANTAGE® II warranty.

ROBERTS-GORDON WILL NOT PAY FOR:

Service trips, service calls and labor charges.

Shipment of replacement parts.

Claims where the total price of the goods have not been paid.

Damage due to:

- Improper installation, operation or maintenance.
- Misuse, abuse, neglect, or modification of the ROBERTS GORDON® VANTAGE® II in any way.
- Use of the ROBERTS GORDON® VANTAGE® II for other than its intended purpose.
- Incorrect gas or electrical supply, accident, fire, floods, acts of God, war, terrorism, or other casualty.
- Improper service, use of replacement parts or accessories not specified by Roberts-Gordon.
- Failure to install or maintain the ROBERTS GORDON® VANTAGE® II as directed in the Installation, Operation and Service manual.
- Relocation of the ROBERTS GORDON® VANTAGE® II after initial installation
- The use of the ROBERTS GORDON® VANTAGE® II in a corrosive atmosphere containing contaminants.
- The use of the ROBERTS GORDON® VANTAGE® II in the vicinity of a combustible or explosive material.
- Any defect in the ROBERTS GORDON® VANTAGE® II arising from a drawing, design, or specification supplied by or on behalf of the consumer.
- Damage incurred during shipment. Claim must be filed with carrier.

WARRANTY IS VOID IF:

The ROBERTS GORDON® VANTAGE® II is not installed by a contractor qualified in the installation and service of gas fired heating equipment.

You cannot prove original purchase date and required annual maintenance history.

The data plate and/or serial number are removed, defaced, modified or altered in any way.

The ownership of the ROBERTS GORDON® VANTAGE® II is moved or transferred. This warranty is nontransferable.

Roberts-Gordon is not permitted to inspect the damaged controller and/or component parts.

READ YOUR INSTALLATION, OPERATION AND SERVICE MANUAL

If you have questions about your controller, contact your installing professional. Should you need Replacement Parts or have additional questions, call or write:

Roberts-Gordon LLC

1250 William Street

P.O. Box 44

Buffalo, New York 14240-0044

Telephone: +1.716.852.4400

Fax: +1.716.852.0854

Toll Free: 800.828.7450

www.rg-inc.com

www.radiantheaters.com

Roberts-Gordon LLC's liability, and your exclusive remedy, under this warranty or any implied warranty (including the implied warranties of merchantability and fitness for a particular purpose) is limited to providing replacement parts during the term of this warranty. Some jurisdictions do not allow limitations on how long an implied warranty lasts, so this limitation may not apply to you. There are no rights, warranties or conditions, expressed or implied, statutory or otherwise, other than those contained in this warranty.

Roberts-Gordon LLC shall in no event be responsible for incidental or consequential damages or incur liability for damages in excess of the amount paid by you for the ROBERTS GORDON® VANTAGE® II. Some jurisdictions do not allow the exclusion or limitation of incidental or consequential damages, so this limitation or exclusion may not apply to you. This warranty gives you specific legal rights, and you may also have other rights which vary from jurisdiction to jurisdiction.

Roberts-Gordon shall not be responsible for failure to perform under the terms of this warranty if caused by circumstances out of its control, including but not limited to war, fire, flood, strike, government or court orders, acts of God, terrorism, unavailability of supplies, parts or power. No person is authorized to assume for Roberts-Gordon any other warranty, obligation or liability.

LIMITATIONS ON AUTHORITY OF REPRESENTATIVES:

No representative of Roberts-Gordon LLC, other than an Executive Officer, has authority to change or extend these provisions. Changes or extensions shall be binding only if confirmed in writing by Roberts-Gordon LLC's duly authorized Executive Officer.



OWNER WARRANTY REGISTRATION CARD

Mail or Fax to:
Roberts Gordon LLC • 1250 William Street, P.O. Box 44 • Buffalo, NY 14240-0044 • Phone: 716-852-4400 • Fax: 716-852-0854
Toll Free: 800-828-7450 • www.rg-inc.com

About the Owner:

Name: _____
Address: _____ City: _____ State: _____ Zip Code: _____
Phone: _____ Fax: _____ E-mail: _____

About the Installer:

Name: _____
Address: _____ City: _____ State: _____ Zip Code: _____
Phone: _____ Fax: _____ E-mail: _____

Purchased From (if different than installer):

Name: _____
Address: _____ City: _____ State: _____ Zip Code: _____
Phone: _____ Fax: _____ E-mail: _____

About your Heater:

Model#: _____ Serial #: _____ Fuel: _____ Installation Date: _____

Type of Installation (check one):

- Automotive Manufacturing Warehouse Recreational Aircraft
- Public Building Office Retail Agricultural Other _____

Installation Code and Annual Inspections: All installation and service of ROBERTS GORDON® equipment must be performed by a contractor qualified in the installation and service of equipment sold and supplied by Roberts-Gordon LLC and conform to all requirements set forth in the ROBERTS GORDON® manuals and all applicable governmental authorities pertaining to the installation, service, operation and labeling of the equipment.

To help facilitate optimum performance and safety, Roberts-Gordon LLC recommends that a qualified contractor conduct, at a minimum, annual inspections of your ROBERTS GORDON® equipment and perform service where necessary, using only replacement parts sold and supplied by Roberts-Gordon LLC.

These products are not for residential use.

This product is intended to assist licensed professionals in the exercise of their professional judgment.

© 2012 Roberts-Gordon LLC - All rights reserved. No part of this work covered by the copyrights herein may be reproduced or copied in any form or by any means – graphic, electronic, or mechanical, including photocopying, recording, taping, or information storage and retrieval systems – without written permission of Roberts Gordon LLC. Printed in the U.S.A.

Attach this information to a wall near the ROBERTS GORDON[®] heater.



Read the Installation, Operation, and Service Manual thoroughly before installation, operation, or service.

Know your model number and installed configuration.

Model number and installed configuration are found on the burner and in the Installation, Operation and Service Manual.

Write the largest clearance dimensions with permanent ink according to your model number and configuration in the open spaces below.

OPERATING INSTRUCTIONS

1. STOP! Read all safety instructions on this information sheet.
2. Open the manual gas valve in the heater supply line.
3. Turn on electric power to the heater.
4. Set the thermostat to desired setting.

TO TURN OFF THE HEATER

1. Set the thermostat to off or the lowest setting.

IF THE HEATER WILL NOT OPERATE, TO ENSURE YOUR SAFETY, FOLLOW THESE INSTRUCTIONS TO SHUT DOWN YOUR HEATER

1. Set the thermostat to off or the lowest setting.
2. Turn off electric power to the heater.
3. Turn off the manual gas valve in the heater supply line.
4. Call your registered installer/contractor qualified in the installation and service of gas-fired heating equipment.

⚠ WARNING



Fire Hazard

Keep all flammable objects, liquids and vapors the minimum required clearances to combustibles away from heater.

Some objects will catch fire or explode when placed close to heater.

Failure to follow these instructions can result in death, injury or property damage.

**Maintain _____ clearance
to the side and
_____ clearance below
the heater from vehicles
and combustible materials.**

Roberts-Gordon LLC
1250 William Street
P.O. Box 44
Buffalo, NY 14240-0044 USA
Telephone: +1.716.852.4400
Fax: +1.716.852.0854
Toll Free: 800.828.7450

Roberts-Gordon Europe Limited
Unit A, Kings Hill Business Park
Darlaston Road, Wednesbury
West Midlands WS10 7SH UK
Telephone: +44 (0)121 506 7700
Fax: +44 (0)121 506 7701

Service Telephone: +44 (0)121 506 7709
Service Fax: +44 (0)121 506 7702
E-mail: uksales@rg-inc.com
E-mail: export@rg-inc.com

Installation Code and Annual Inspections:

All installation and service of ROBERTS GORDON[®] equipment must be performed by a contractor qualified in the installation and service of equipment sold and supplied by Roberts-Gordon and conform to all requirements set forth in the ROBERTS GORDON[®] manuals and all applicable governmental authorities pertaining to the installation, service, operation and labeling of the equipment. To help facilitate optimum performance and safety, Roberts-Gordon recommends that a qualified contractor conduct, at a minimum, annual inspections of your ROBERTS GORDON[®] equipment and perform service where necessary, using only replacement parts sold and supplied by Roberts-Gordon.

Further Information: Applications, engineering and detailed guidance on systems design, installation and equipment performance is available through ROBERTS GORDON[®] representatives. Please contact us for any further information you may require, including the Installation, Operation and Service Manual.

This product is not for residential use.

© 2012 Roberts-Gordon LLC All rights reserved. No part of this work covered by the copyrights herein may be reproduced or copied in any form or by any means – graphic, electronic, or mechanical, including photocopying, recording, taping, or information storage and retrieval systems – without written permission of Roberts-Gordon LLC.

www.rg-inc.com

Printed in U.S.A.

P/N 91037912 Rev. J